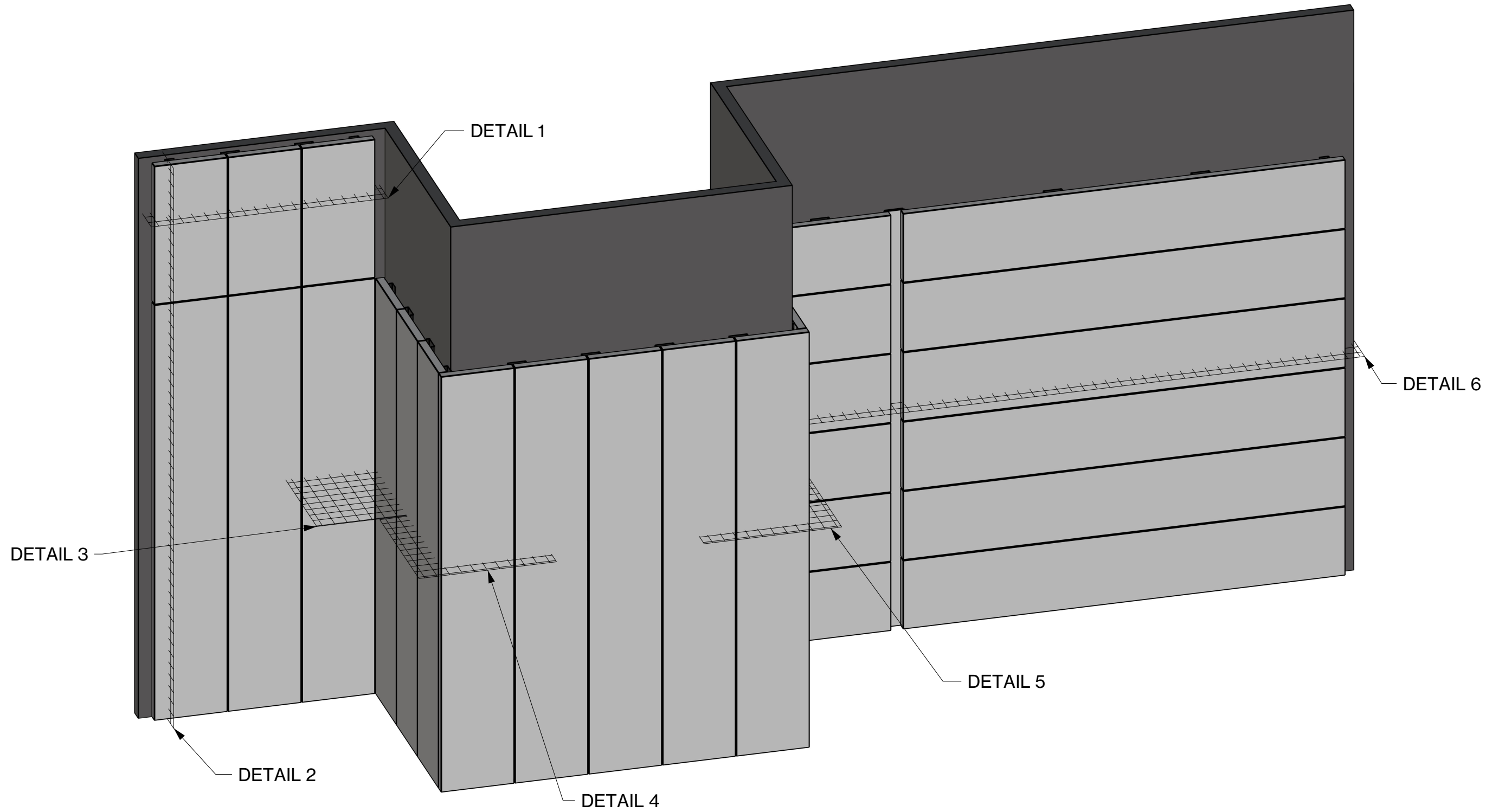


# Reference 3D Model



**PROPRIETARY NOTICE:**  
THIS DRAWING SHEET AND THE CONTENTS HEREIN ARE THE PROPERTY OF A ZAHNER COMPANY. USE OF THIS DRAWING, CONTENTS OR DESIGN FOR PURPOSES OTHER THAN ESTIMATING, DRAWING PREPARATION AND/OR MANUFACTURING FOR A ZAHNER COMPANY SHALL BE CAUSE FOR LEGAL RECOURSE BY A ZAHNER COMPANY.

NOT FOR CONSTRUCTION, DESIGN AID ONLY  
11X17 SHEET, DO NOT SCALE DRAWING  
LAST MODIFIED DATE 06.14.2024

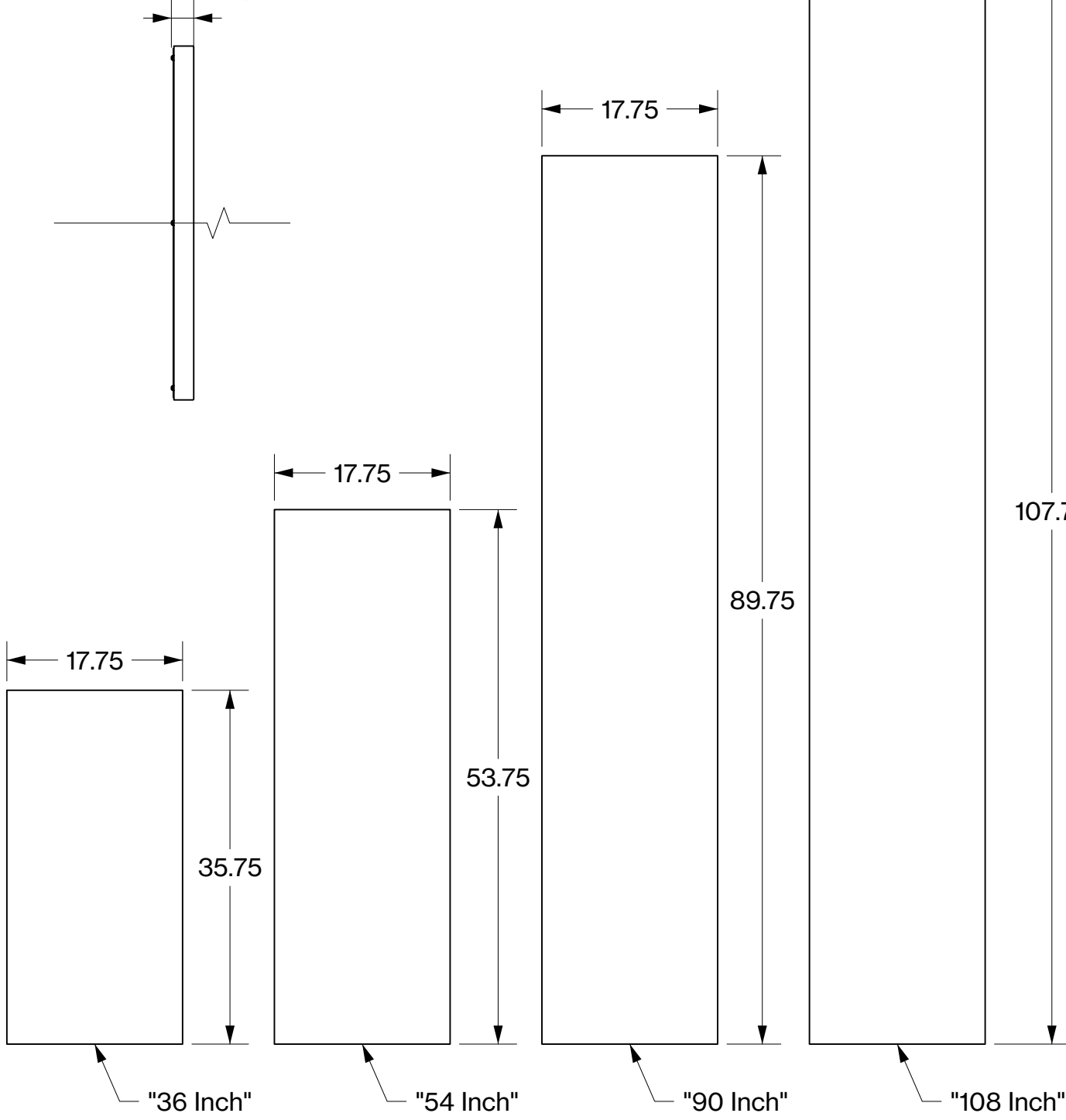
**MODA WALL PANEL SYSTEM**  
DETAIL SET  
Page 1 of 11

**ZAHNER**  
WWW.AZAHNER.COM

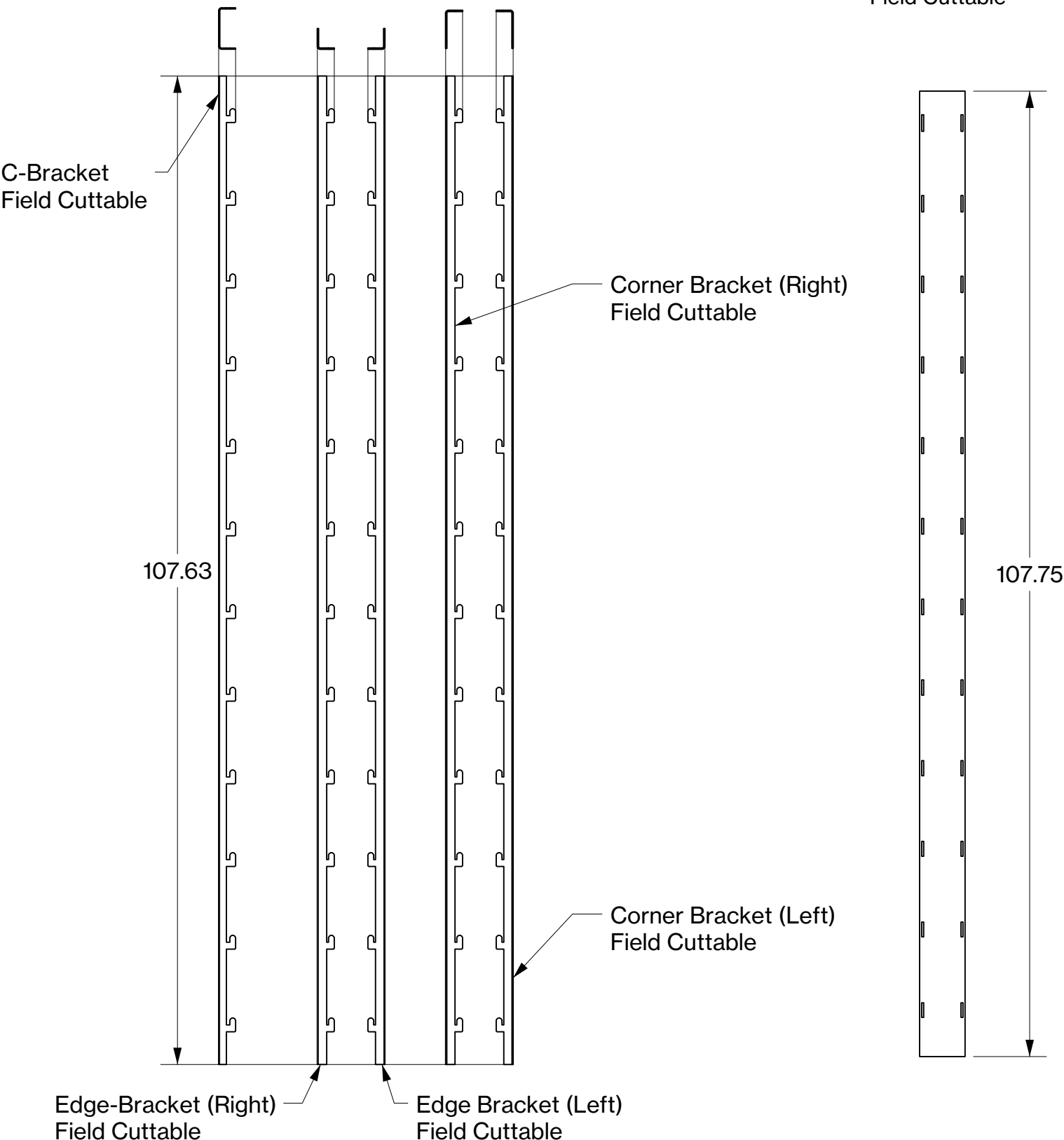
# System Components

## PANEL ASSEMBLIES

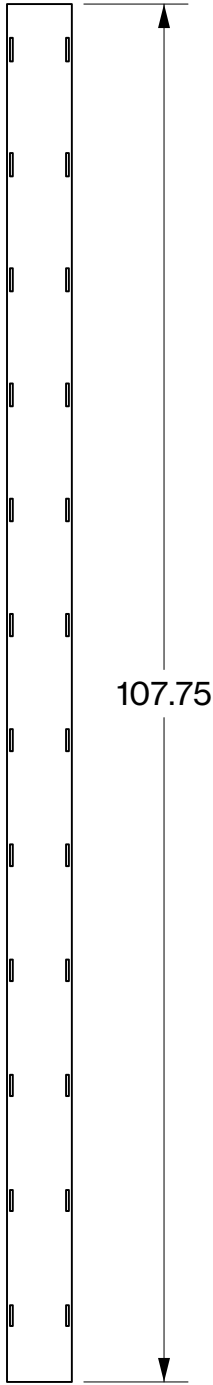
Panel Assembly Depth: 2.26



## HARDWARE



## REVEAL COVER Field Cuttable

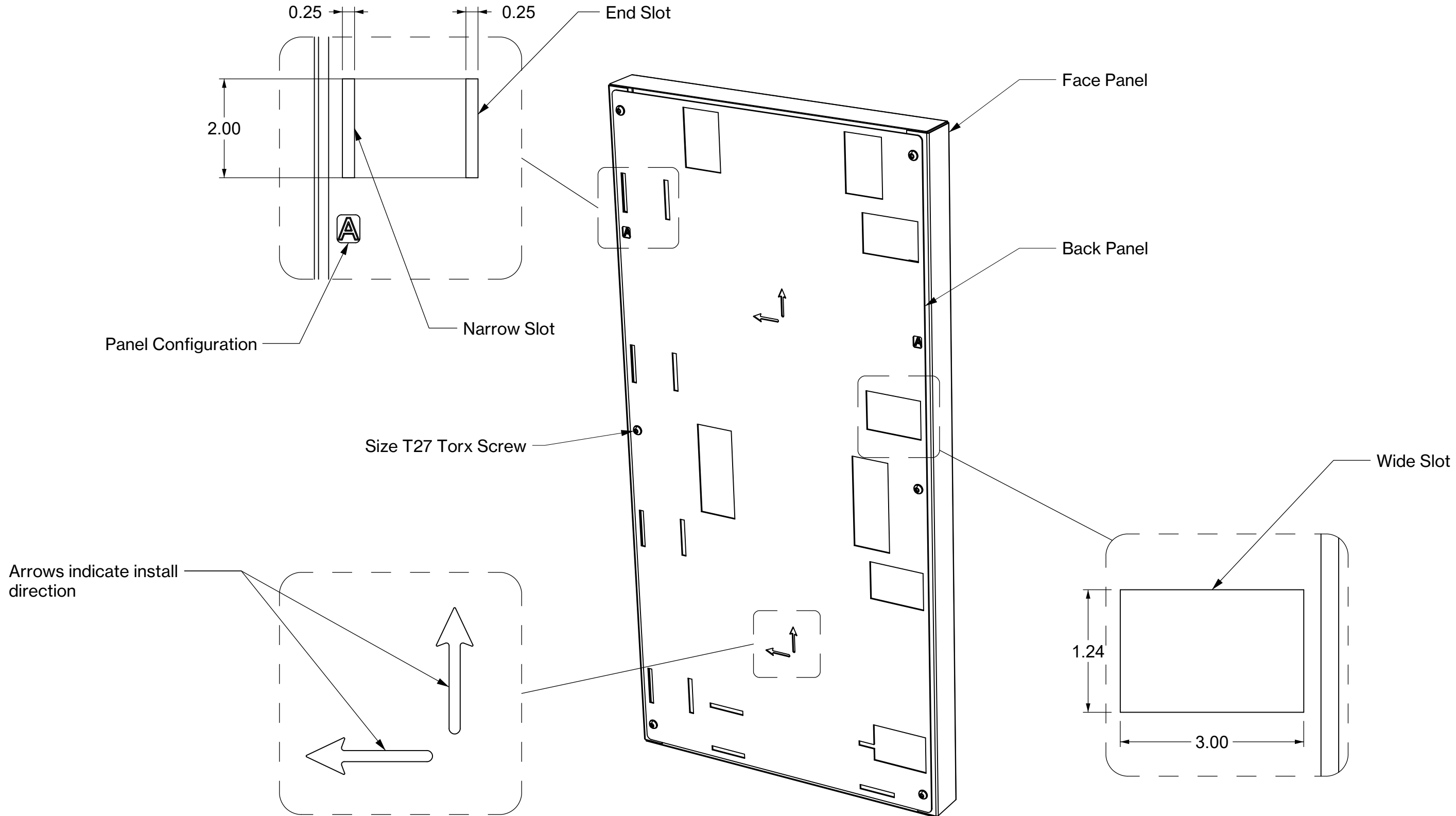


PROPRIETARY NOTICE:  
THIS DRAWING SHEET AND THE CONTENTS HEREIN ARE THE PROPERTY OF A ZAHNER COMPANY. USE OF THIS DRAWING, CONTENTS OR DESIGN FOR PURPOSES OTHER THAN ESTIMATING, DRAWING PREPARATION AND/OR MANUFACTURING FOR A ZAHNER COMPANY SHALL BE CAUSE FOR LEGAL RECOURSE BY A ZAHNER COMPANY.

NOT FOR CONSTRUCTION, DESIGN AID ONLY  
11X17 SHEET, DO NOT SCALE DRAWING  
LAST MODIFIED DATE 06.14.2024

# Panel Assembly

(36 Inch Assembly Shown)



PROPRIETARY NOTICE:  
THIS DRAWING SHEET AND THE CONTENTS HEREIN ARE THE PROPERTY OF A ZAHNER COMPANY. USE OF THIS DRAWING, CONTENTS OR DESIGN FOR PURPOSES OTHER THAN ESTIMATING, DRAWING PREPARATION AND/OR MANUFACTURING FOR A ZAHNER COMPANY SHALL BE CAUSE FOR LEGAL RECOURSE BY A ZAHNER COMPANY.

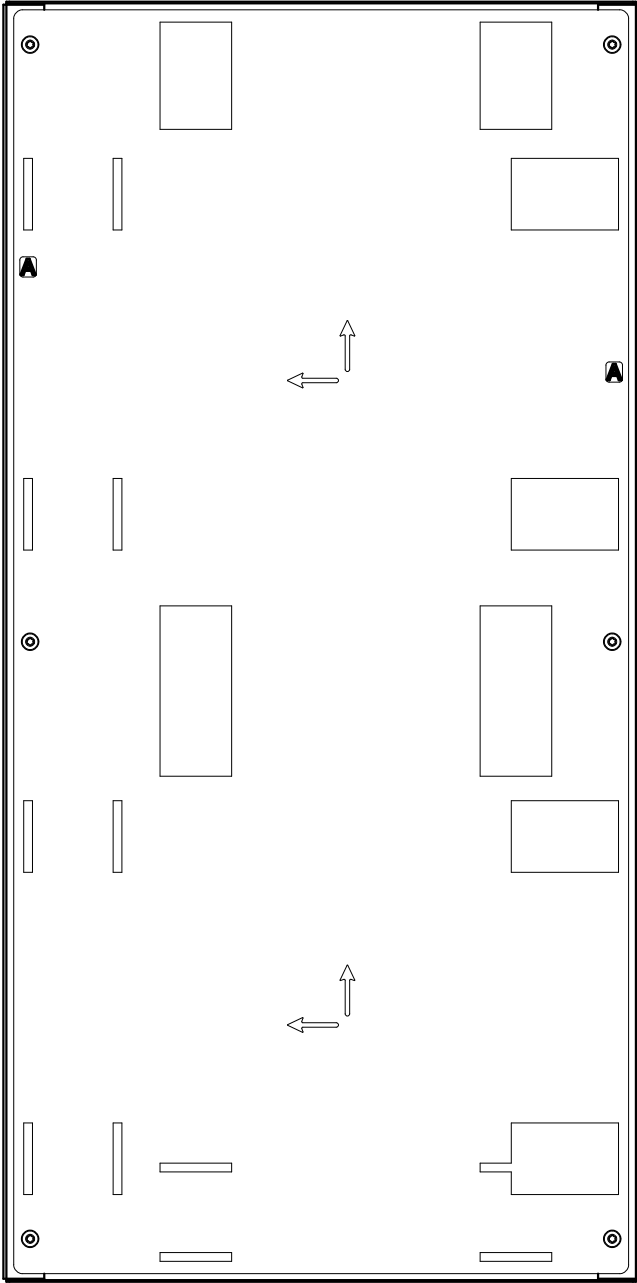
NOT FOR CONSTRUCTION, DESIGN AID ONLY  
11X17 SHEET, DO NOT SCALE DRAWING  
LAST MODIFIED DATE 06.14.2024

# Panel Configuration

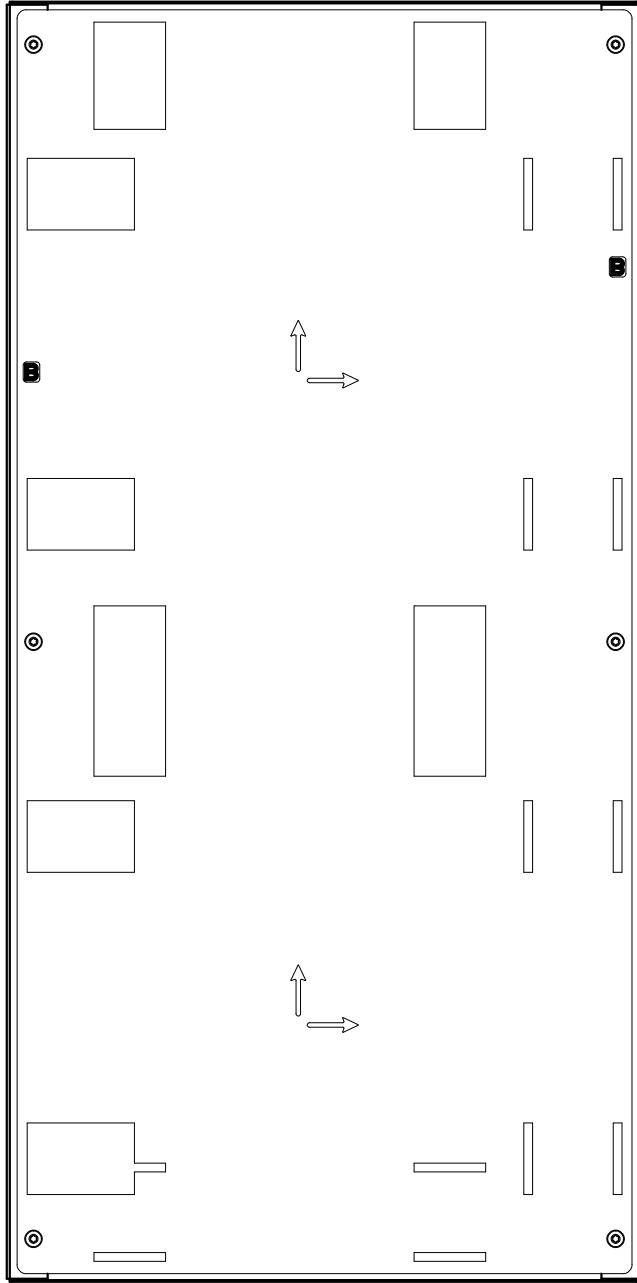
(36 Inch Assembly Shown)

Panel Configuration is determined by how the Back Panel is oriented relative to the Face Panel, and can be adjusted at the time of installation. All panels ship from the factory in Configuration A.

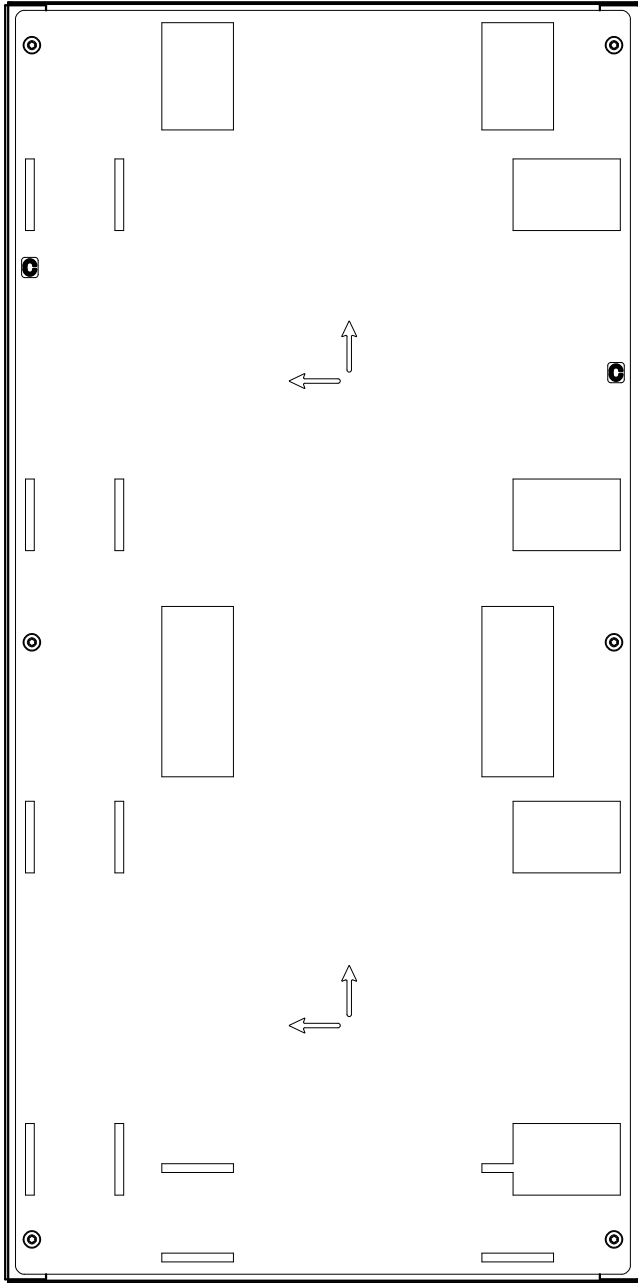
Configuration A (factory default)



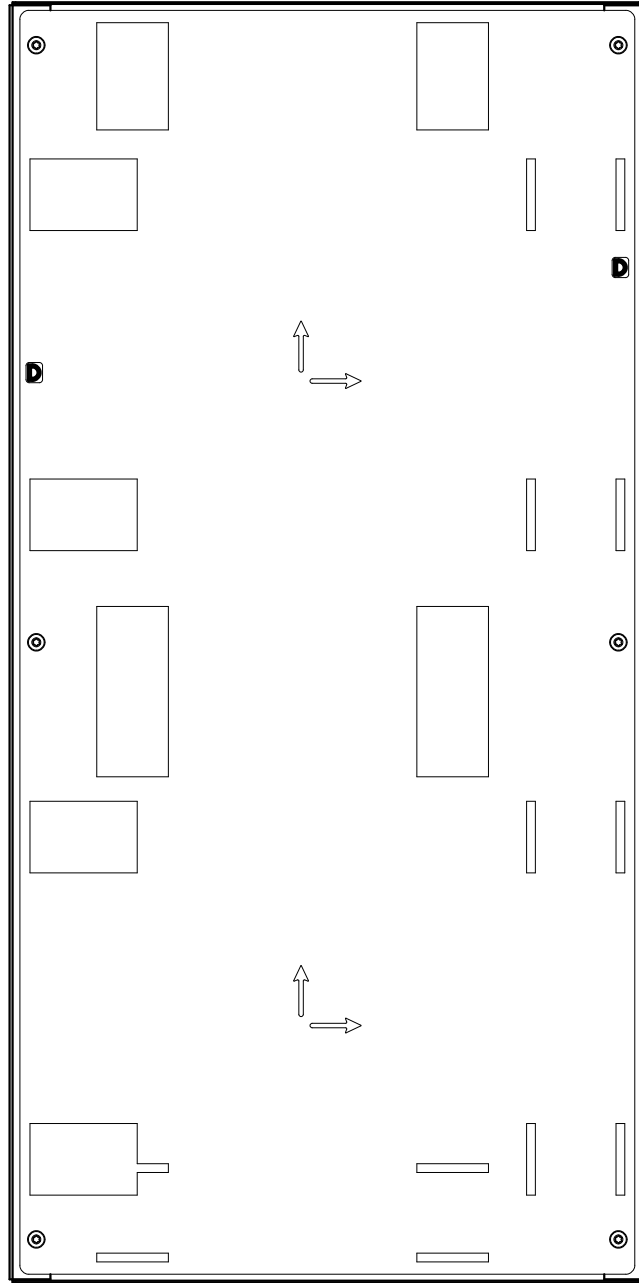
Configuration B



Configuration C



Configuration D



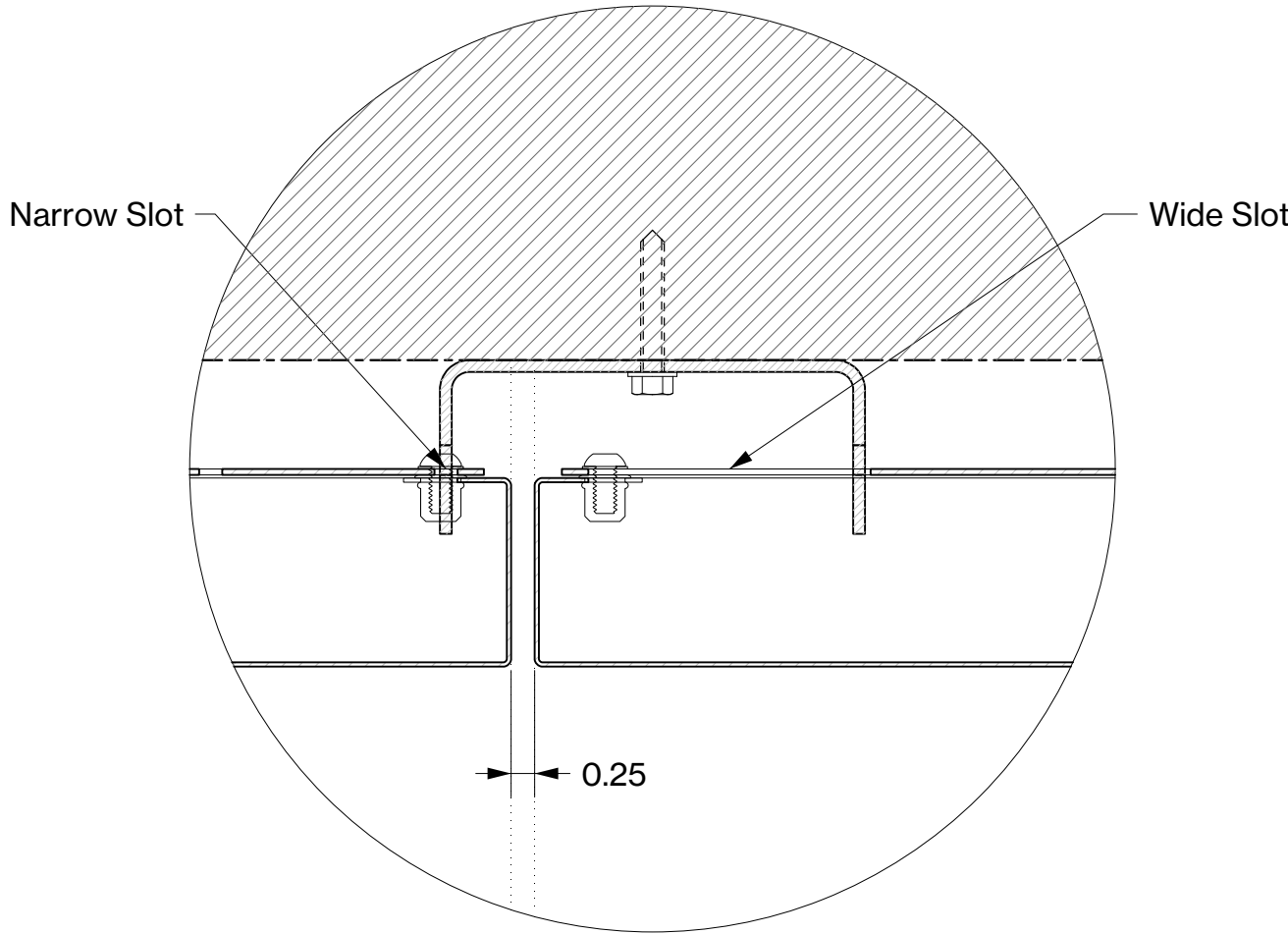
PROPRIETARY NOTICE:  
THIS DRAWING SHEET AND THE CONTENTS HEREIN ARE THE PROPERTY OF A ZAHNER COMPANY. USE OF THIS DRAWING, CONTENTS OR DESIGN FOR PURPOSES OTHER THAN ESTIMATING, DRAWING PREPARATION AND/OR MANUFACTURING FOR A ZAHNER COMPANY SHALL BE CAUSE FOR LEGAL RECOURSE BY A ZAHNER COMPANY.

NOT FOR CONSTRUCTION, DESIGN AID ONLY  
11X17 SHEET, DO NOT SCALE DRAWING  
LAST MODIFIED DATE 06.14.2024

# Adjustable Reveal Width

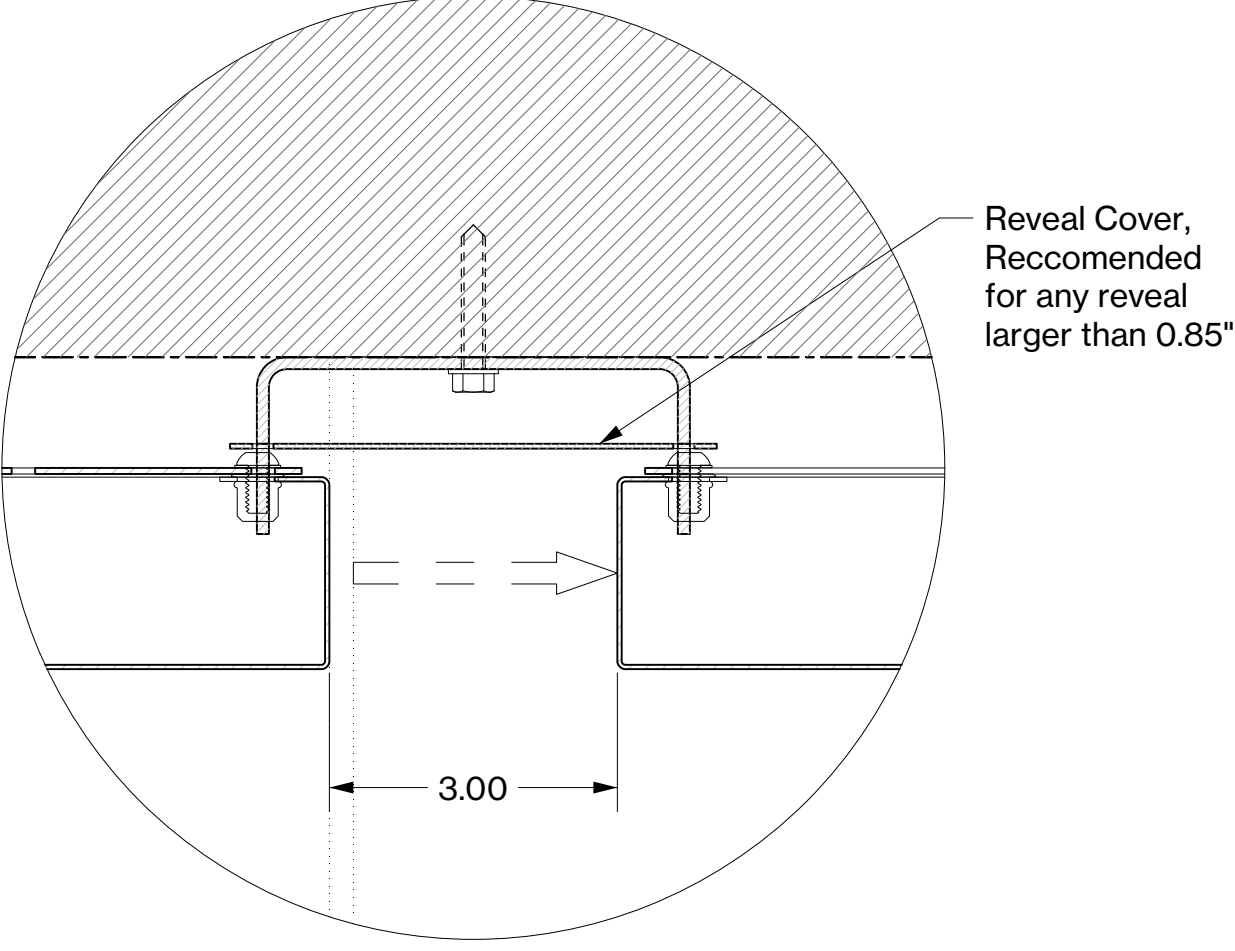
Hardware fastener locations are often determined by adjustable horizontal panel reveal widths. Dimensions effected by adjustable reveal widths are labeled in this document using a bolded capital letter. Use the provided table to determine the correct dimintions for your desired layout.

Minimum Adjustable Reveal Width (Plan Section)



Scale 1 : 2

Maximum Adjustable Reveal Width (Plan Section)



Scale 1 : 2

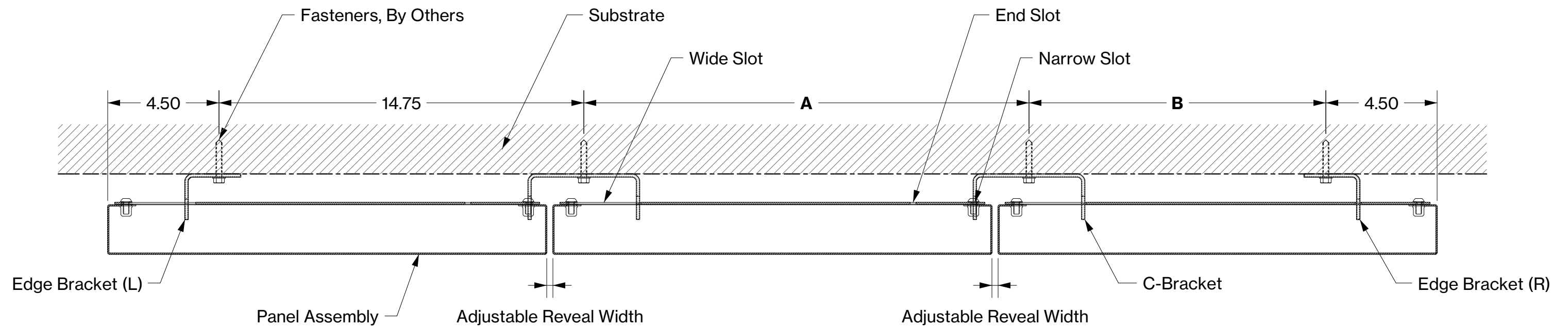
PROPRIETARY NOTICE:  
THIS DRAWING SHEET AND THE CONTENTS HEREIN ARE THE PROPERTY OF A.ZAHNER COMPANY. USE OF THIS DRAWING, CONTENTS OR DESIGN FOR PURPOSES OTHER THAN ESTIMATING, DRAWING PREPERATION AND/OR MANUFACTURING FOR A.ZAHNERCOMPANY SHALL BE CAUSE FOR LEGAL RECOURSE BY A.ZAHNER COMPANY.

NOT FOR CONSTRUCTION, DESIGN AID ONLY  
11X17 SHEET, DO NOT SCALE DRAWING  
LAST MODIFIED DATE 06.14.2024

# DETAIL 1

## MODA: Flat Wall Array - Plan Section

UNLESS OTHERWISE STATED: ALL PANNELS ARE SET TO CONFIGURATION A OR C



DIMENTION	ADJUSTABLE REVEAL WIDTH											
	0.25"	0.50"	0.75"	1.00"	1.25"	1.50"	1.75"	2.00"	2.25"	2.50"	2.75"	3.00"
<b>A</b>	18.00"	18.25"	18.50"	18.75"	19.00"	19.25"	19.50"	19.75"	20.00"	20.25"	20.50"	20.75"
<b>B</b>	12.00"	12.25"	12.50"	12.75"	13.00"	13.25"	13.50"	13.75"	14.00"	14.25"	14.50"	14.75"
<b>C</b>	14.25"	14.50"	14.75"	15.00"	15.25"	15.50"	15.75"	16.00"	16.25"	16.50"	16.75"	17.00"
<b>D</b>	13.25"	13.50"	13.75"	14.00"	14.25"	14.50"	14.75"	15.00"	15.25"	15.50"	15.75"	16.00"
<b>E</b>	36.00"	36.25"	36.50"	36.75"	37.00"	37.25"	37.50"	37.75"	38.00"	38.25"	38.50"	38.75"

PROPRIETARY NOTICE:  
THIS DRAWING SHEET AND THE CONTENTS HEREIN ARE THE PROPERTY OF A ZAHNER COMPANY. USE OF THIS DRAWING, CONTENTS OR DESIGN FOR PURPOSES OTHER THAN ESTIMATING, DRAWING PREPERATION AND/OR MANUFACTURING FOR A ZAHNER COMPANY SHALL BE CAUSE FOR LEGAL RECOURSE BY A ZAHNER COMPANY.

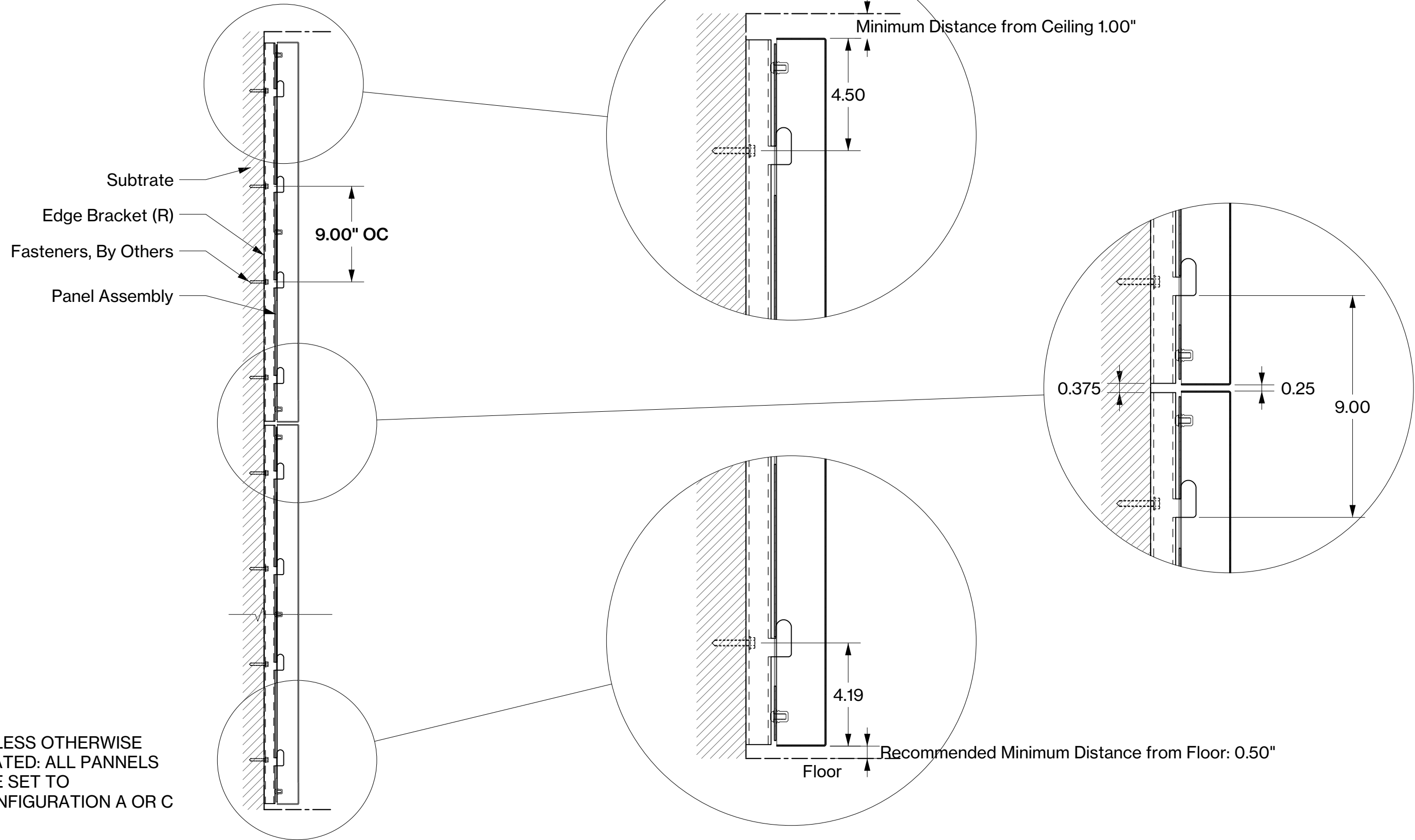
NOT FOR CONSTRUCTION, DESIGN AID ONLY  
11X17 SHEET, DO NOT SCALE DRAWING  
LAST MODIFIED DATE 06.14.2024

**MODA WALL PANEL SYSTEM**  
DETAIL SET  
Page 1 of 11

**ZAHNER**  
WWW.AZAHNER.COM

# DETAIL 2

## MODA: Flat Wall Array - Vertical Section

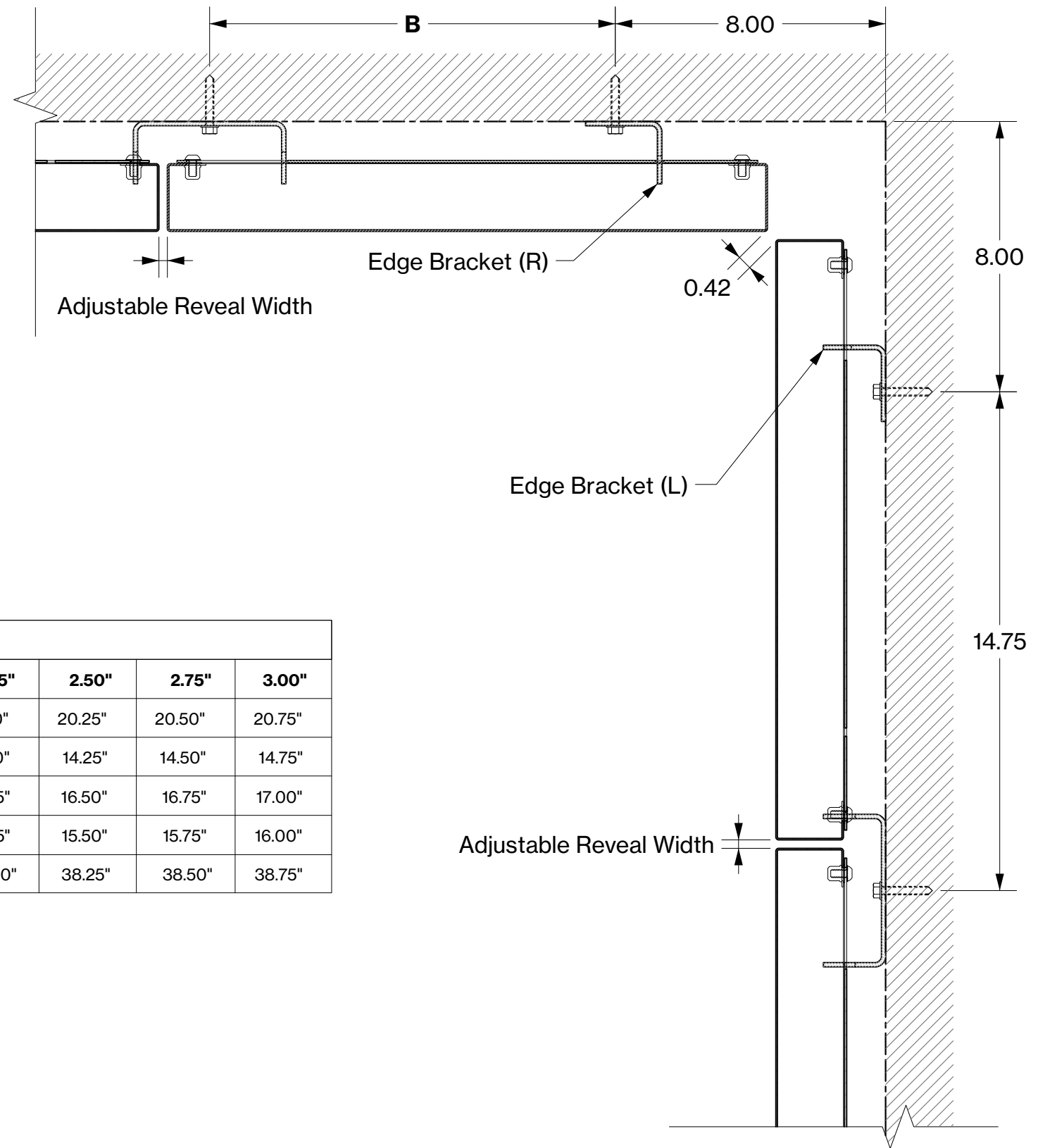


UNLESS OTHERWISE STATED: ALL PANNELS ARE SET TO CONFIGURATION A OR C

# DETAIL 3

## MODA: Inside 90° Corner - Plan Section

UNLESS OTHERWISE STATED:  
ALL PANNELS ARE SET TO  
CONFIGURATION A OR C



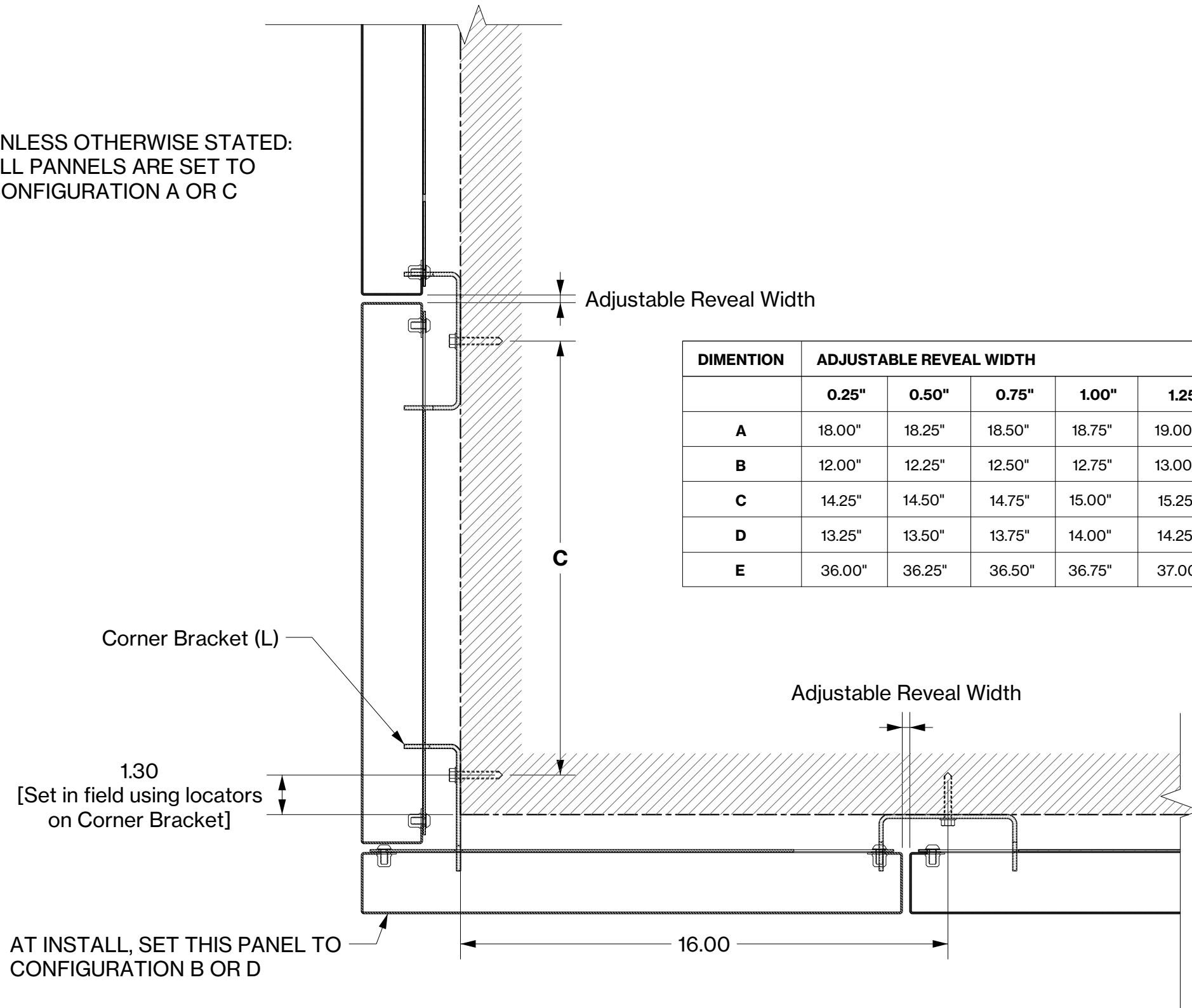
DIMENTION	ADJUSTABLE REVEAL WIDTH											
	0.25"	0.50"	0.75"	1.00"	1.25"	1.50"	1.75"	2.00"	2.25"	2.50"	2.75"	3.00"
<b>A</b>	18.00"	18.25"	18.50"	18.75"	19.00"	19.25"	19.50"	19.75"	20.00"	20.25"	20.50"	20.75"
<b>B</b>	12.00"	12.25"	12.50"	12.75"	13.00"	13.25"	13.50"	13.75"	14.00"	14.25"	14.50"	14.75"
<b>C</b>	14.25"	14.50"	14.75"	15.00"	15.25"	15.50"	15.75"	16.00"	16.25"	16.50"	16.75"	17.00"
<b>D</b>	13.25"	13.50"	13.75"	14.00"	14.25"	14.50"	14.75"	15.00"	15.25"	15.50"	15.75"	16.00"
<b>E</b>	36.00"	36.25"	36.50"	36.75"	37.00"	37.25"	37.50"	37.75"	38.00"	38.25"	38.50"	38.75"



# DETAIL 4

## MODA: Outside 90° Corner (Left) - Plan Section

UNLESS OTHERWISE STATED:  
ALL PANNELS ARE SET TO  
CONFIGURATION A OR C



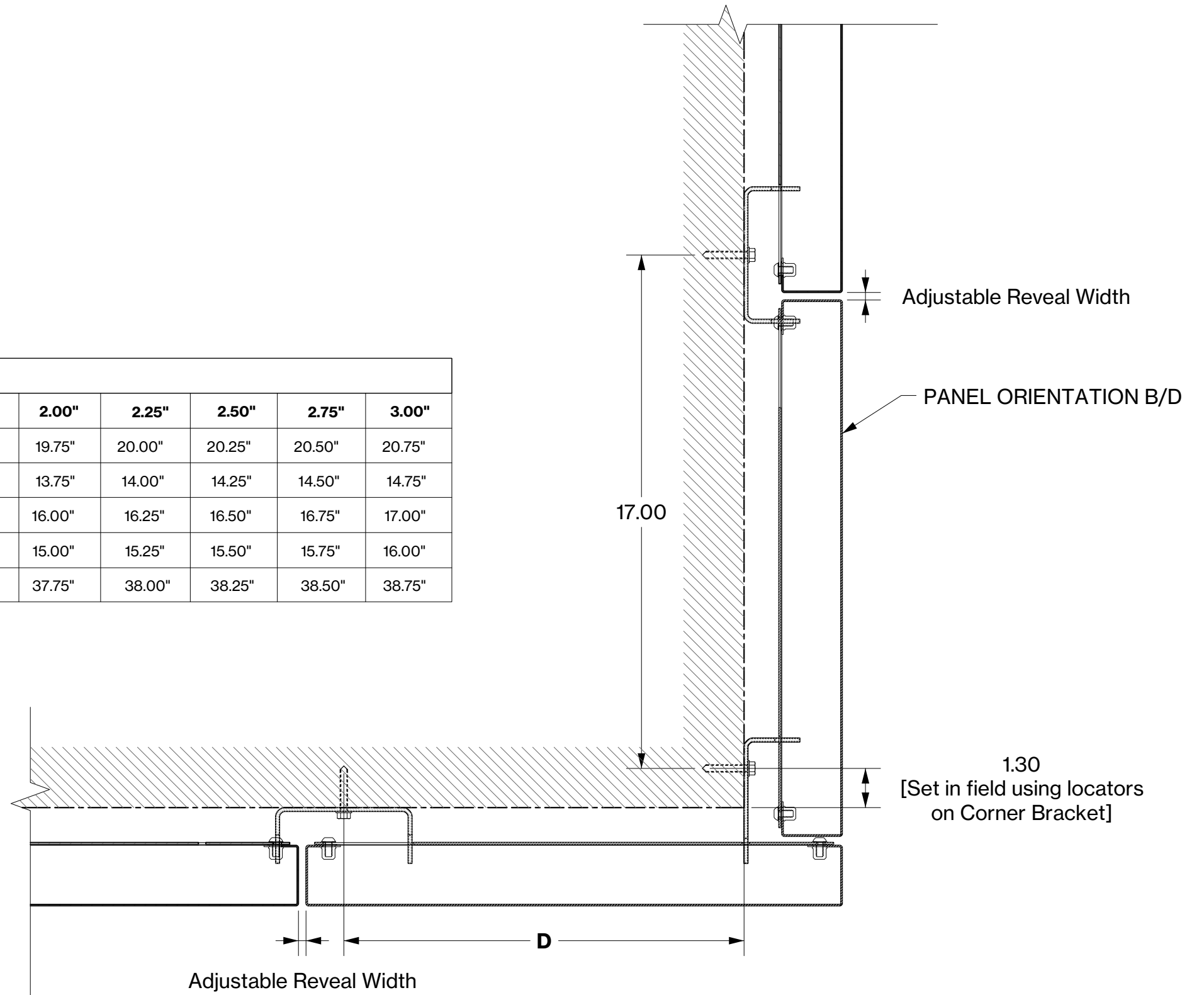
DIMENTION	ADJUSTABLE REVEAL WIDTH											
	0.25"	0.50"	0.75"	1.00"	1.25"	1.50"	1.75"	2.00"	2.25"	2.50"	2.75"	3.00"
<b>A</b>	18.00"	18.25"	18.50"	18.75"	19.00"	19.25"	19.50"	19.75"	20.00"	20.25"	20.50"	20.75"
<b>B</b>	12.00"	12.25"	12.50"	12.75"	13.00"	13.25"	13.50"	13.75"	14.00"	14.25"	14.50"	14.75"
<b>C</b>	14.25"	14.50"	14.75"	15.00"	15.25"	15.50"	15.75"	16.00"	16.25"	16.50"	16.75"	17.00"
<b>D</b>	13.25"	13.50"	13.75"	14.00"	14.25"	14.50"	14.75"	15.00"	15.25"	15.50"	15.75"	16.00"
<b>E</b>	36.00"	36.25"	36.50"	36.75"	37.00"	37.25"	37.50"	37.75"	38.00"	38.25"	38.50"	38.75"

# DETAIL 5

## MODA: Outside 90° Corner (Right) - Plan Section

UNLESS OTHERWISE STATED:  
ALL PANNELS ARE SET TO  
ORIENTATION A OR C

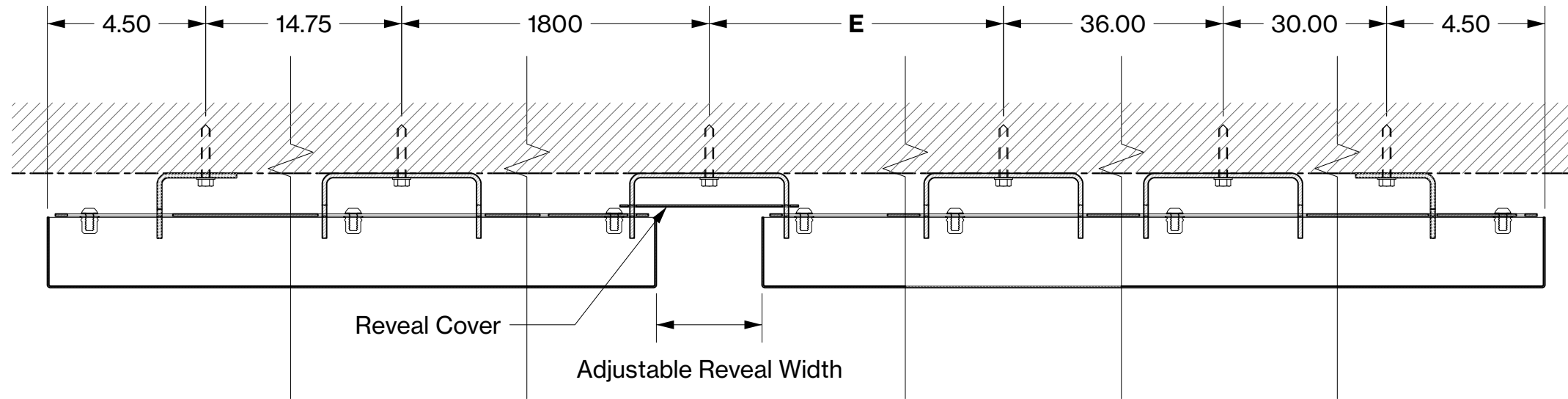
DIMENTION	ADJUSTABLE REVEAL WIDTH											
	0.25"	0.50"	0.75"	1.00"	1.25"	1.50"	1.75"	2.00"	2.25"	2.50"	2.75"	3.00"
<b>A</b>	18.00"	18.25"	18.50"	18.75"	19.00"	19.25"	19.50"	19.75"	20.00"	20.25"	20.50"	20.75"
<b>B</b>	12.00"	12.25"	12.50"	12.75"	13.00"	13.25"	13.50"	13.75"	14.00"	14.25"	14.50"	14.75"
<b>C</b>	14.25"	14.50"	14.75"	15.00"	15.25"	15.50"	15.75"	16.00"	16.25"	16.50"	16.75"	17.00"
<b>D</b>	13.25"	13.50"	13.75"	14.00"	14.25"	14.50"	14.75"	15.00"	15.25"	15.50"	15.75"	16.00"
<b>E</b>	36.00"	36.25"	36.50"	36.75"	37.00"	37.25"	37.50"	37.75"	38.00"	38.25"	38.50"	38.75"



# DETAIL 6

## MODA: Flat Wall Array (Landscape Panels) - Plan Section

UNLESS OTHERWISE STATED:  
ALL PANNELS ARE SET TO  
ORIENTATION A OR C



DIMENTION	ADJUSTABLE REVEAL WIDTH											
	0.25"	0.50"	0.75"	1.00"	1.25"	1.50"	1.75"	2.00"	2.25"	2.50"	2.75"	3.00"
A	18.00"	18.25"	18.50"	18.75"	19.00"	19.25"	19.50"	19.75"	20.00"	20.25"	20.50"	20.75"
B	12.00"	12.25"	12.50"	12.75"	13.00"	13.25"	13.50"	13.75"	14.00"	14.25"	14.50"	14.75"
C	14.25"	14.50"	14.75"	15.00"	15.25"	15.50"	15.75"	16.00"	16.25"	16.50"	16.75"	17.00"
D	13.25"	13.50"	13.75"	14.00"	14.25"	14.50"	14.75"	15.00"	15.25"	15.50"	15.75"	16.00"
E	36.00"	36.25"	36.50"	36.75"	37.00"	37.25"	37.50"	37.75"	38.00"	38.25"	38.50"	38.75"