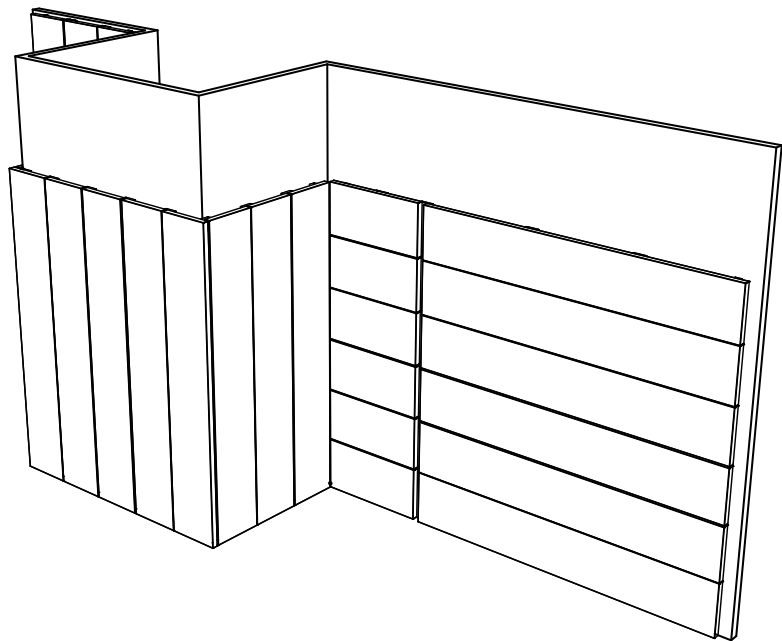
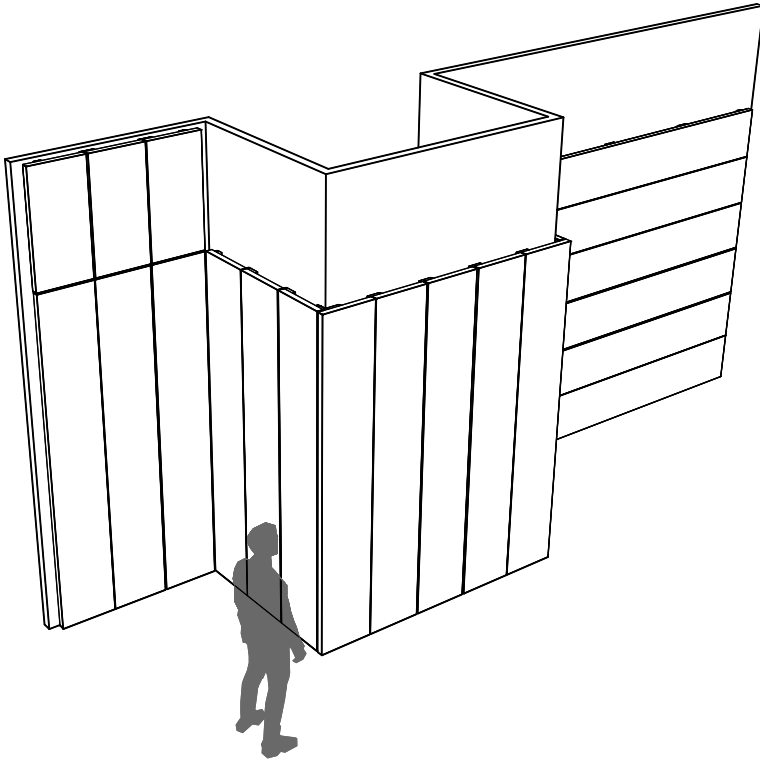
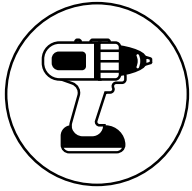


PRODUCT OVERVIEW

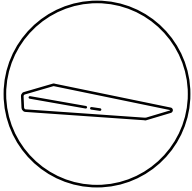
Create lasting and enduring spaces with this wall-mounted, modular and re-configurable metal panel system from Zahner. Moda is a series of lightweight metal panels that are available in four standard sizes and a variety of material and surface options.



RECOMMENDED TOOLS AND EQUIPMENT



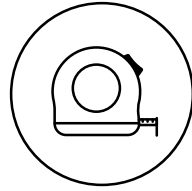
Drill



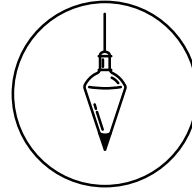
Shims



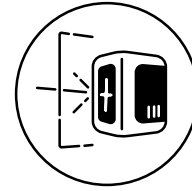
Fasteners



Tape Measure



Plumb Bob



Level



Ladder

BEFORE STARTING INSTALLATION

- Download and print the Moda Detail Set and Moda Datasheet.
- Read this manual. We've done this before, and know how to do it right. There's no need to learn the hard way!
- Examine each item carefully to ensure that the item quantity, size, material, finish, and quality matches the order specifications. In the event any discrepancies are found, STOP and contact the Zahner Product team at 816-423-8280 before proceeding.
- A staging area is recommended for checking the layout. Lay out the panels in the space before to ensure panel orientation and alignment are according to product information.

INSTALLATION

General Sequence

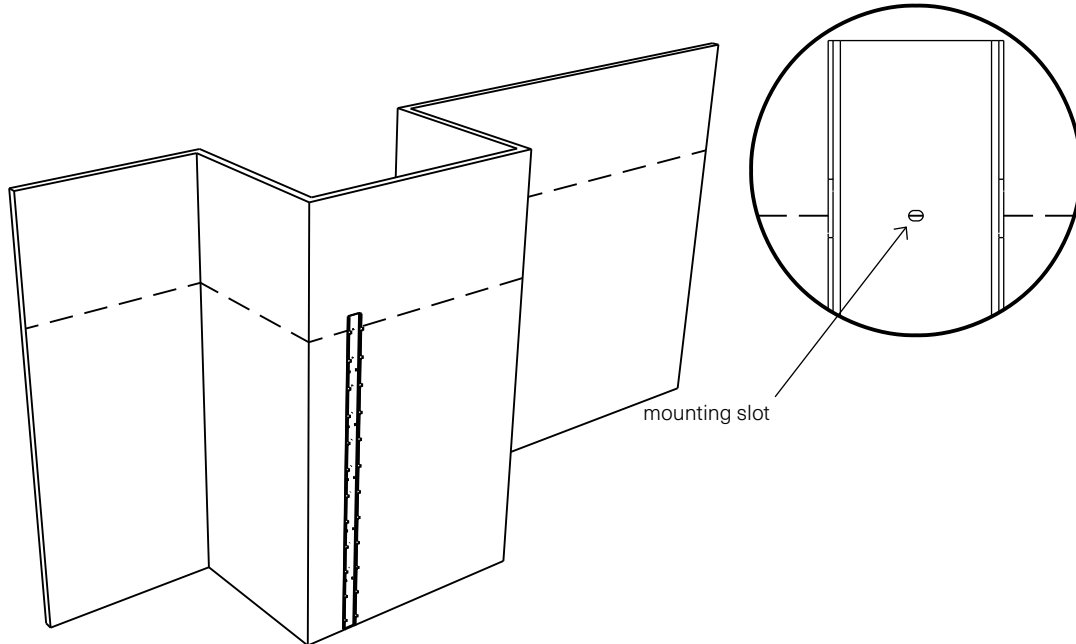
1. Plan your work.
2. Mount brackets for any outside corners.
3. Mount brackets for any inside corners.
4. Mount brackets for edge of scope.
5. Mount c-channels.
6. Install reveal covers.
7. Install panels.

01. Plan your work

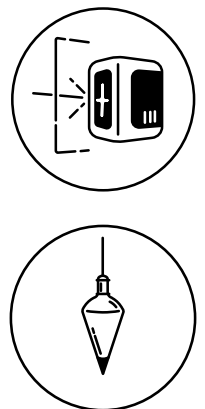
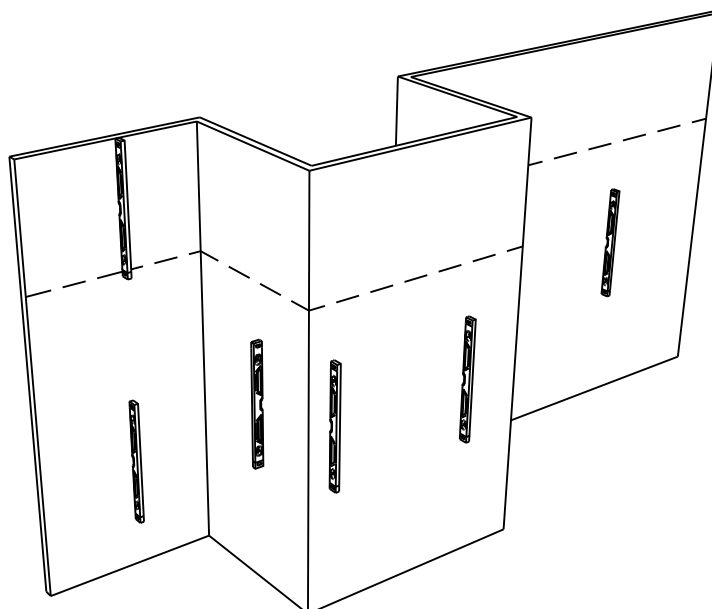
Review the Moda detail set, and make note of the recommended minimum distance from the floor and ceiling.



Use a mounting slot in the Moda hardware as a location for a reference horizontal line. Mark this line across the entire scope of the installation.



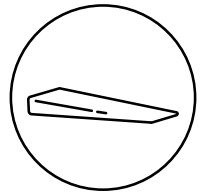
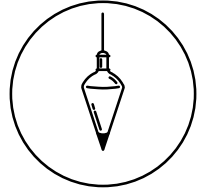
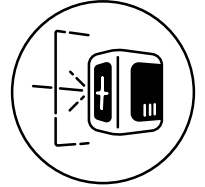
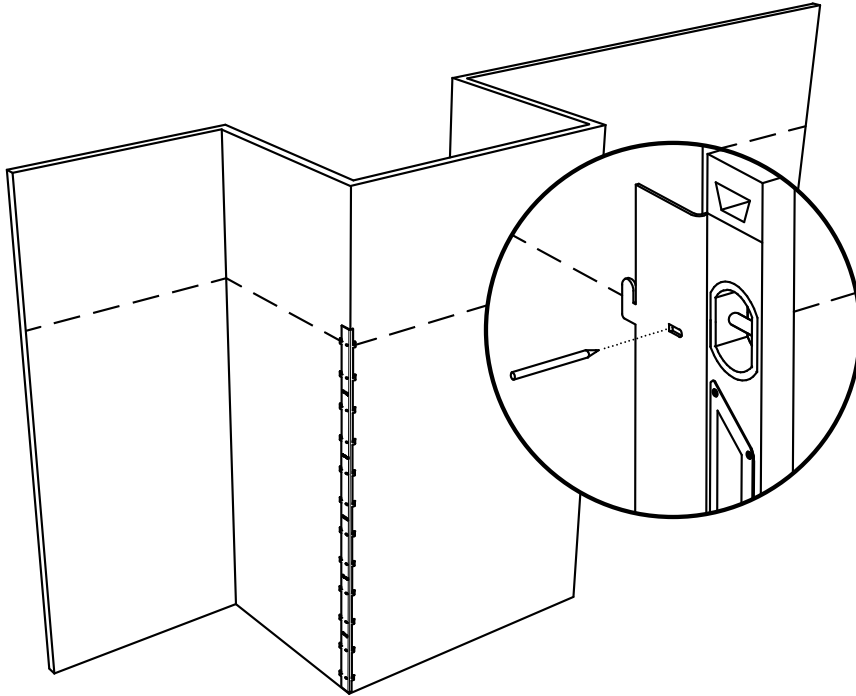
Evaluate your wall for plumb and flatness across the scope of your project.



02. Install Brackets for Outside Corners

If your project does not require Outside Corners, skip to the next section.

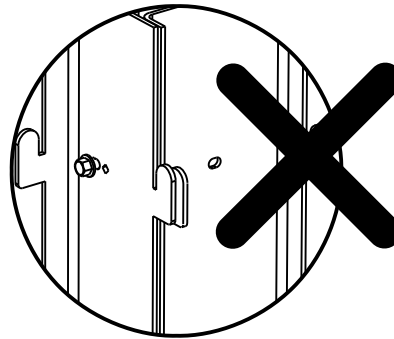
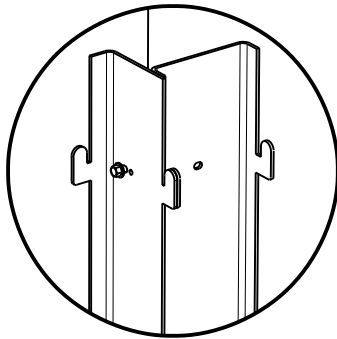
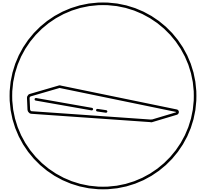
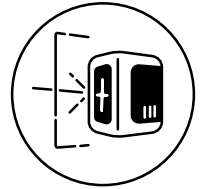
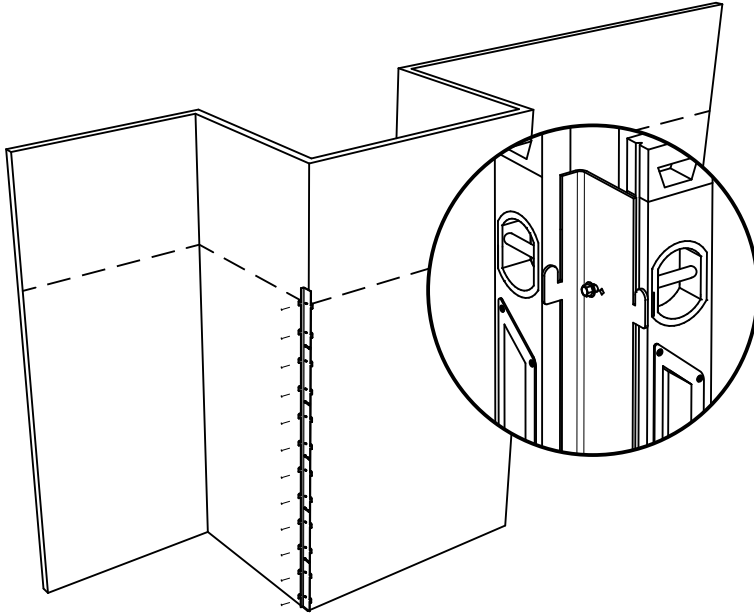
Place the Moda corner bracket against the wall as shown. Use a level to confirm the bracket is vertical. Shim if necessary. Mark the hole centers by scribing along the flat end of the openings in the hardware.



02. Install Brackets for Outside Corners (con't)

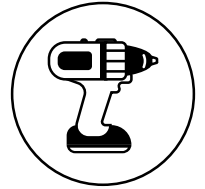
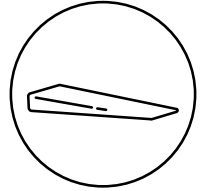
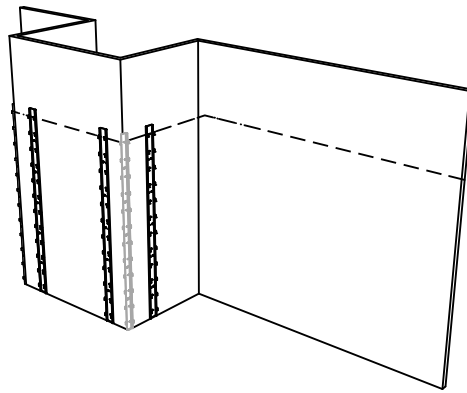
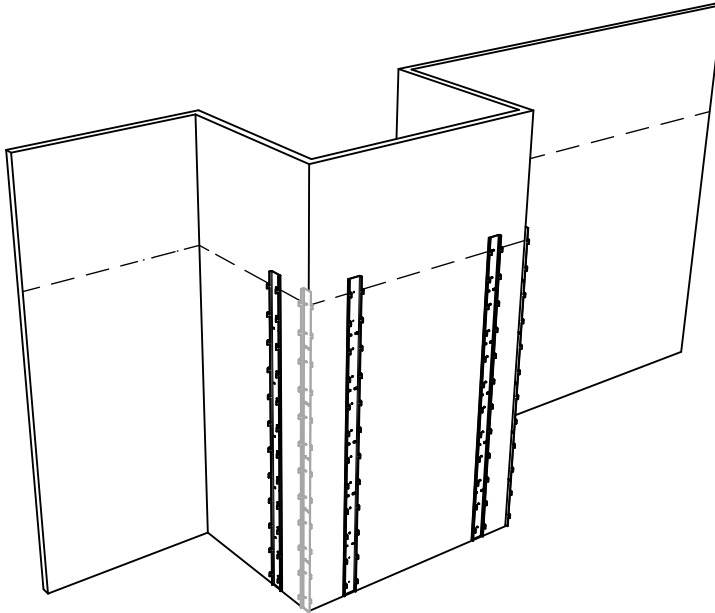
Mount the corner bracket to the wall. Do not fully tighten the fasteners.

Adjust the position of the bracket. Use a level to confirm the bracket is vertical in both directions. Shim the bracket if necessary. Confirm proper alignment with adjacent wall using a c-channel. Tighten all fasteners.



02. Install Brackets for Outside Corners (con't)

Install the adjacent c-channels. Repeat as needed until all Outside Corners Brackets for your project are mounted.



03. Install Brackets for Inside Corners

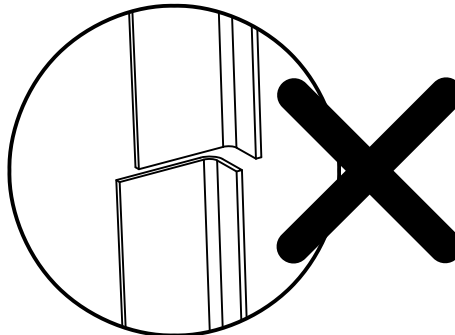
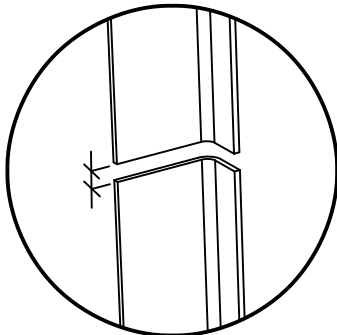
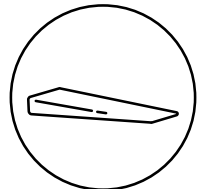
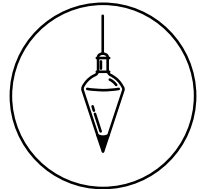
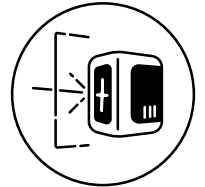
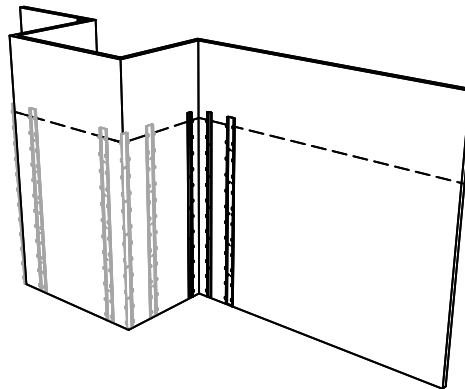
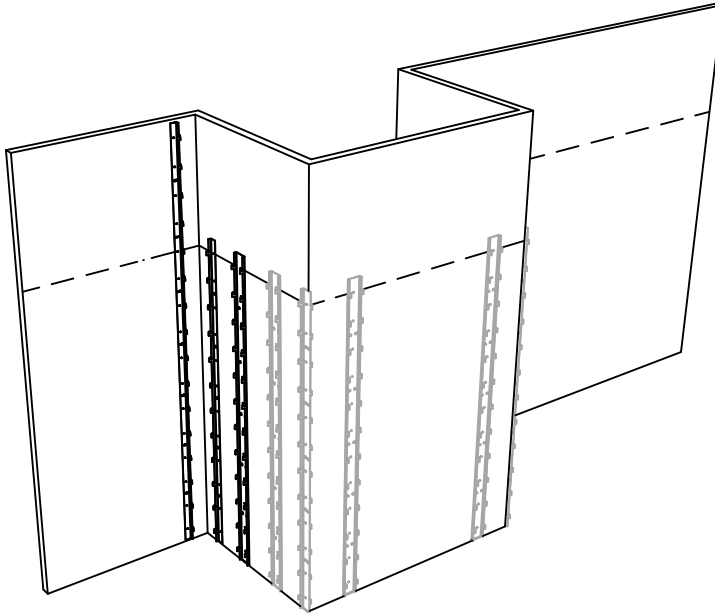
If your project does not require Inside Corners, skip to the next section.

Mount the required end brackets and c-channel to the wall. Do not tighten the fasteners.

Tune the position of the brackets. Use a level to ensure the brackets are vertical and plumb. Shim the brackets if necessary.

Ensure that any vertically stacked brackets are properly spaced and remain aligned.

Tighten all fasteners.



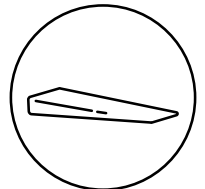
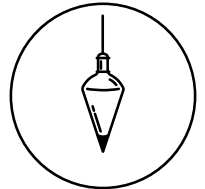
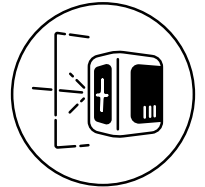
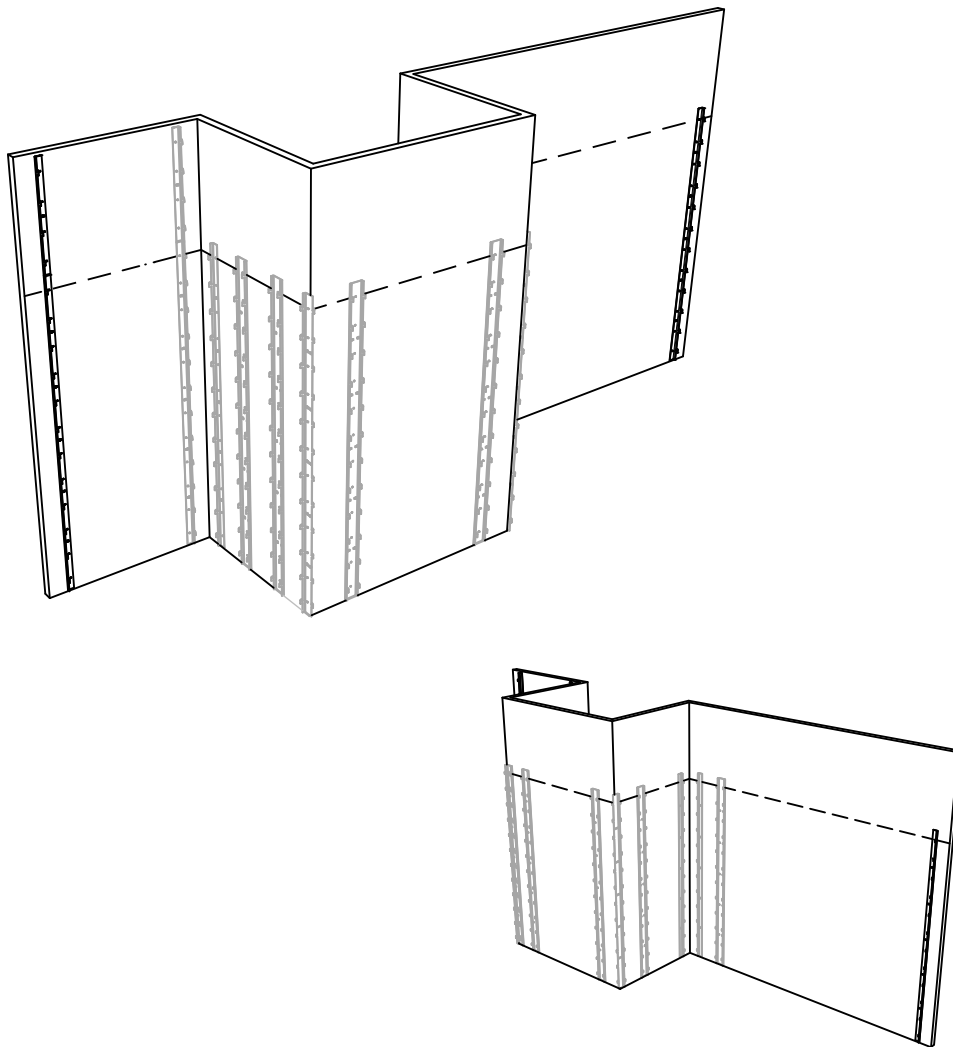
04. Install Brackets for Edge of Scope

Mount the end brackets to the wall. Do not tighten the fasteners.

Tune the position of the brackets. Use a level to ensure the brackets are vertical and plumb. Shim the brackets if necessary.

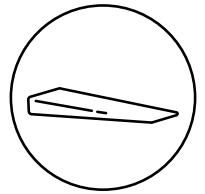
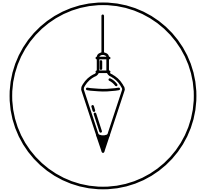
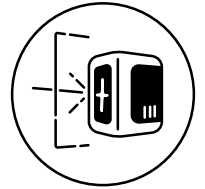
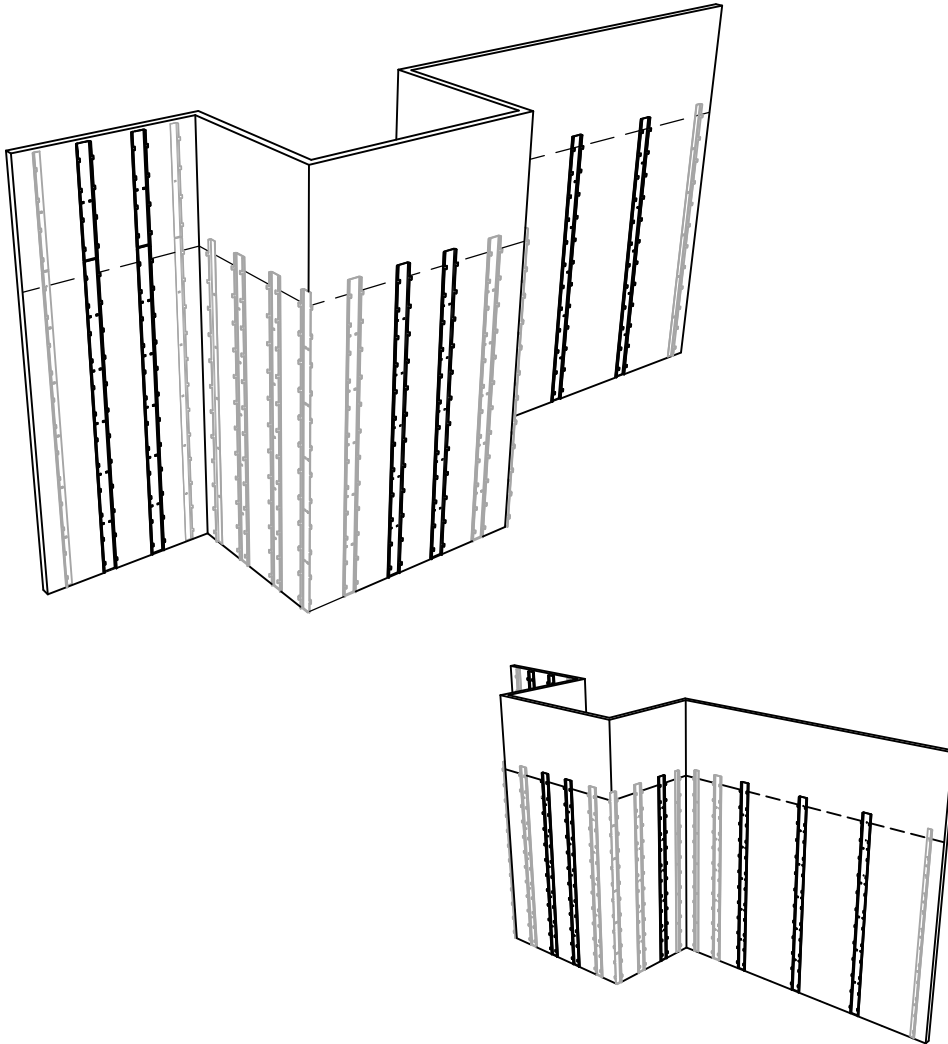
Ensure that any vertically stacked brackets are properly spaced and remain aligned.

Tighten all fasteners.



05. Install C-Brackets

Position the c-brackets between the end brackets. Use a level to ensure the c-channels are aligned with true vertical, then mark the hole centers through the fastener slots in the hardware. Mount the c-channels to the wall.

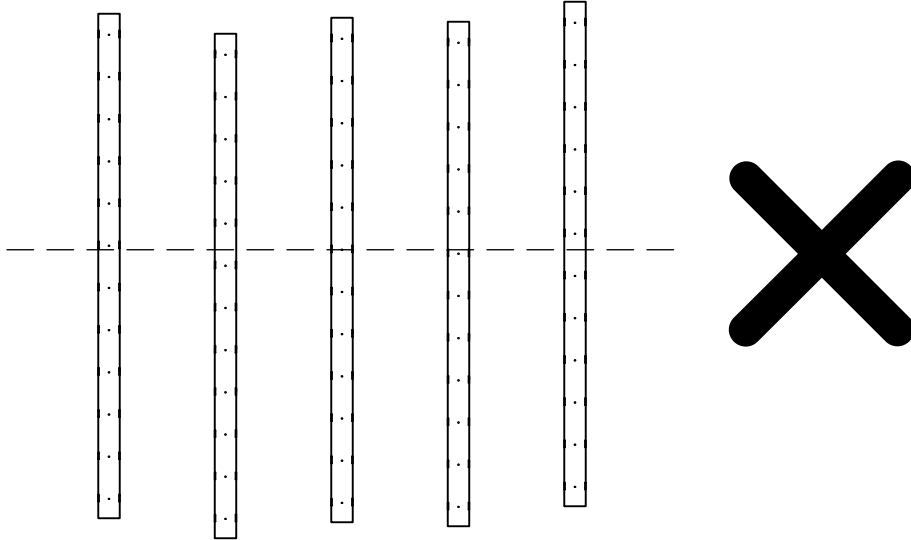


Check hardware positions and alignment

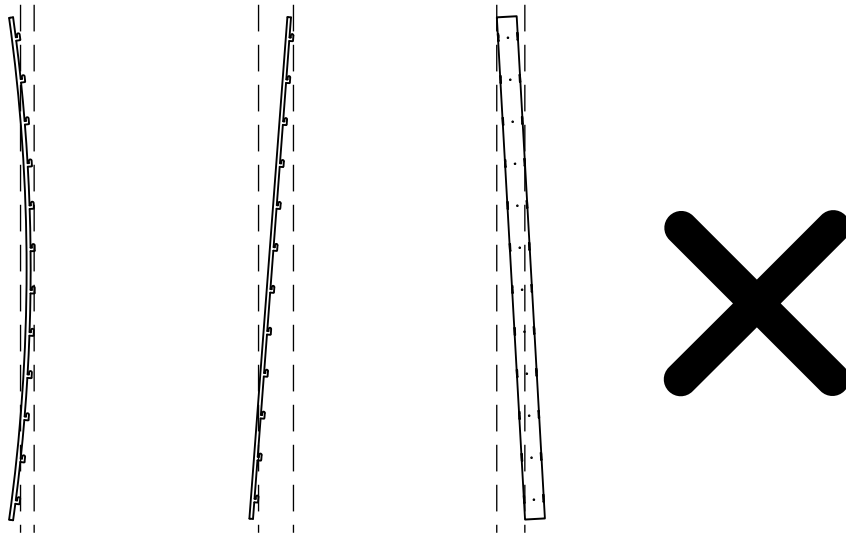


Before proceeding with the installation of the reveal covers and panels, Zahner recommends completing the following checklist to ensure that all Moda hardware is installed straight, level and plumb, with correct alignment and spacing.

- Hardware brackets are aligned with a common horizontal.**



- Hardware brackets are flat, plumb and vertical to within 1/8" over 9'.**

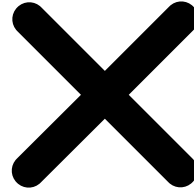
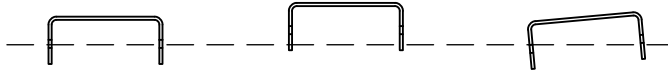


Check hardware positions and alignment (con't)



Before proceeding with the installation of the reveal covers and panels, Zahner recommends completing the following checklist to ensure that all Moda hardware is installed straight, level and plumb, with correct alignment and spacing.

- Hardware brackets are installed so that hooks are aligned across the wall.**



06. Install Edge Trim

If your project does not require Edge Trim, skip to the next section.

Orient the trim piece so that the slotted flange is against the wall and pointed towards the nearest end bracket.

Align the notch just below the fastener slot to your reference horizontal set in Step 01, and mark your fastener locations through the centers of the fastener slots.

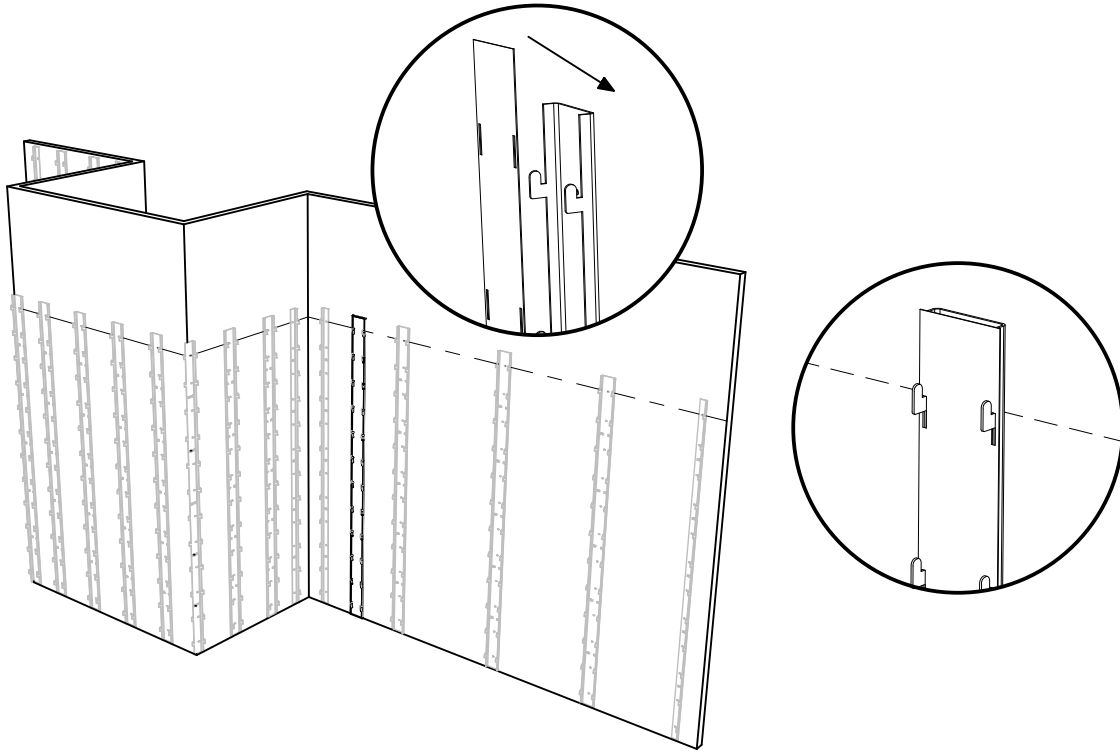


Detail 1

07. Install Reveal Covers

If your project does not require Reveal Covers, skip to the next section.

Locate the c-channels in your project that require concealment. Lift the reveal cover into position, insert onto hooks of the c-channel and drop into place.



08. Install Panels

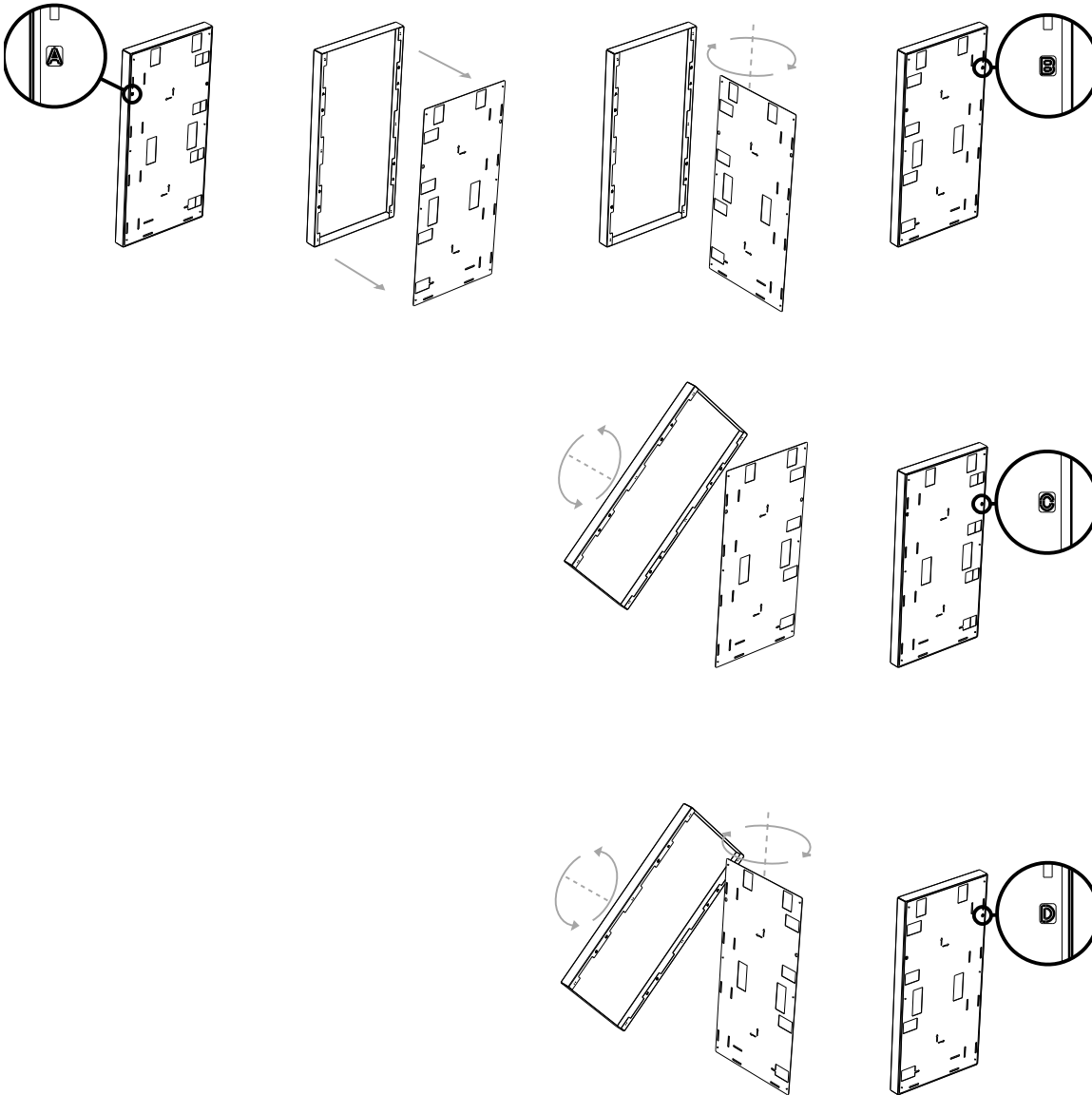


Changing Panel Configuration

Moda panels ship from the factory in configuration A. Reference the Moda detail set to see if your project requires panels in the B, C, or D configuration.



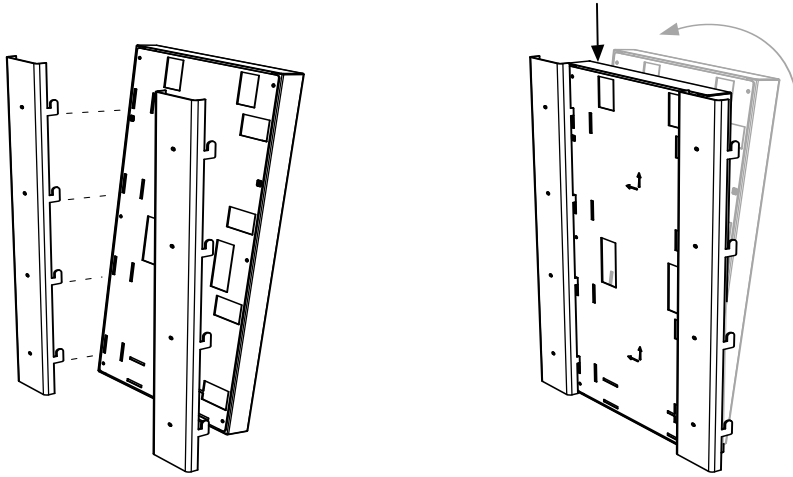
If your project does not require changing the panel configuration, skip to the next step.



Install Panels (con't)

Make sure the Moda panels are oriented with one of the arrows on the back panel pointing upward.

Align the back panel slots with the bracket mounting hooks, place the panel onto the hooks, and drop the panel into place.



Install the remaining panels. If your layout contains more than 1 row of panels, install the bottom row(s) first.

