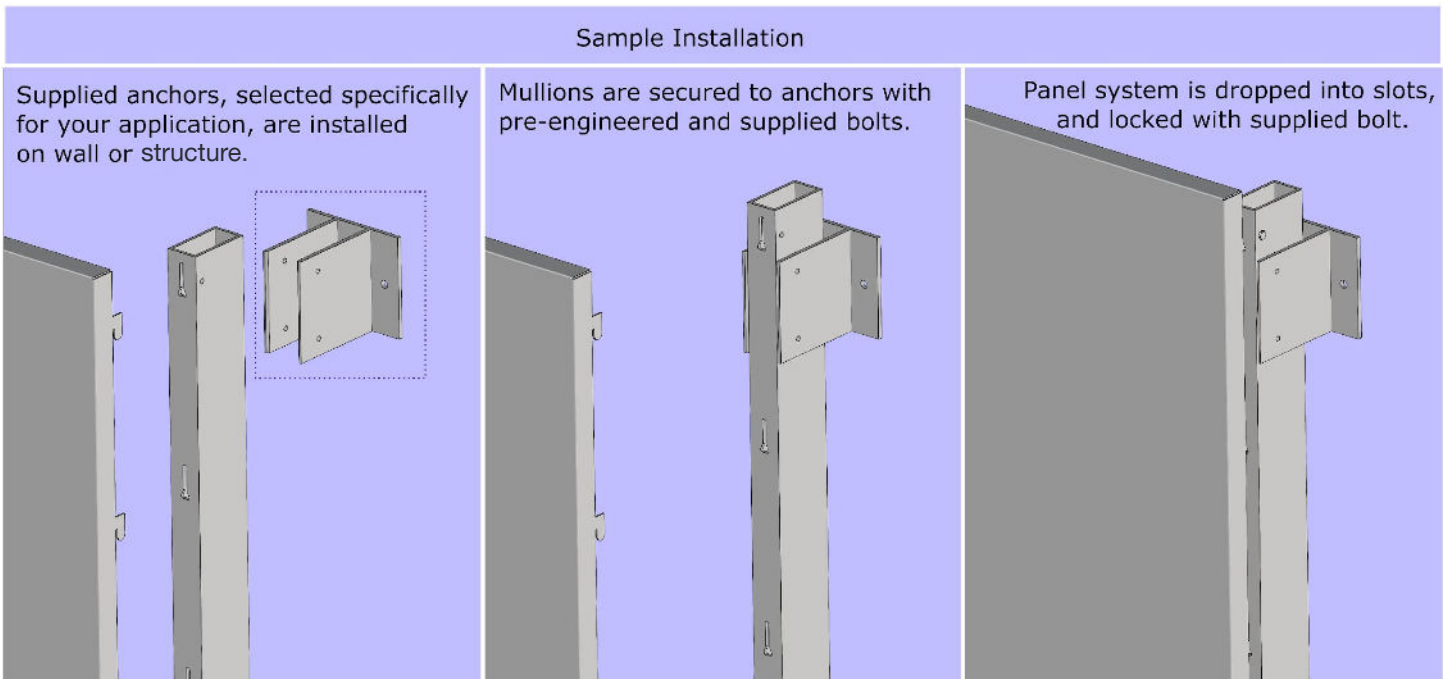


Drop & Lock is one of many solutions from Zahner providing quick, efficient and cost-effective installation of various wall systems. The solution includes structural mullions, anchor systems for attaching to walls, ceilings or structure, and your choice of Zahner wall system. The Drop & Lock system is compatible with various metals and treatments, including Zahner's proprietary surfaces. All components are CNC cut and ready for installation.

Applications:

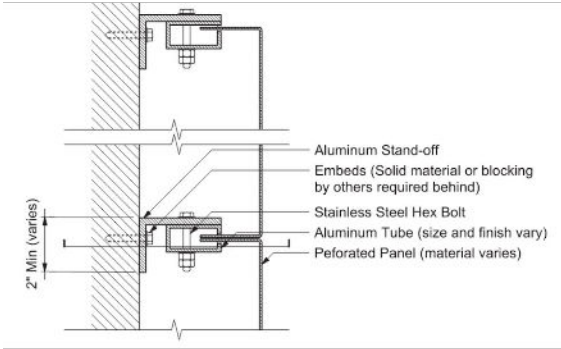
- Interior and exterior installations
- New construction, retrofit, or add-on
- This solution accommodates a variety of Zahner's rainscreen, dry seal and vented wall systems.

Drop & Lock is the ideal installation system for many applications, including Zahner's patented ImageWall® perforated metal offering.

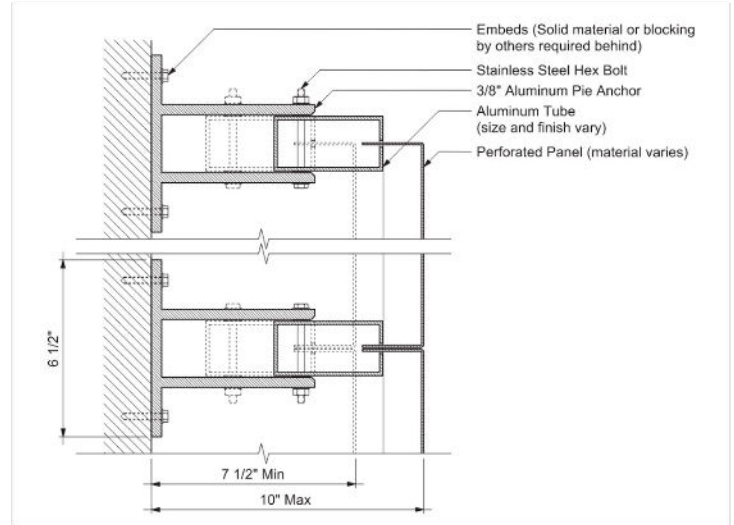


Wall | Medium

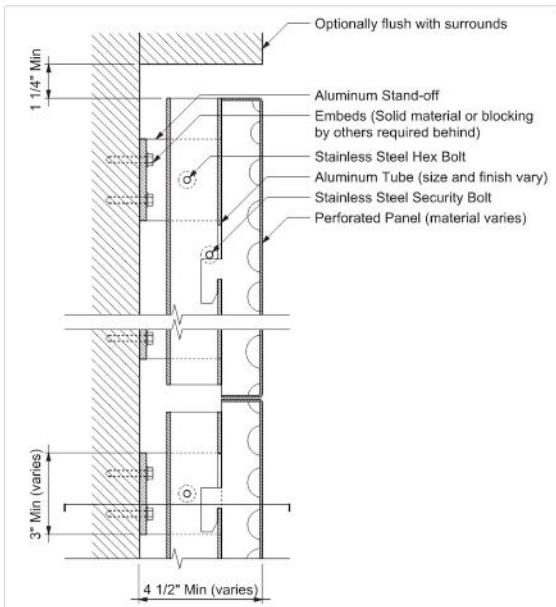
Wall | Heavy



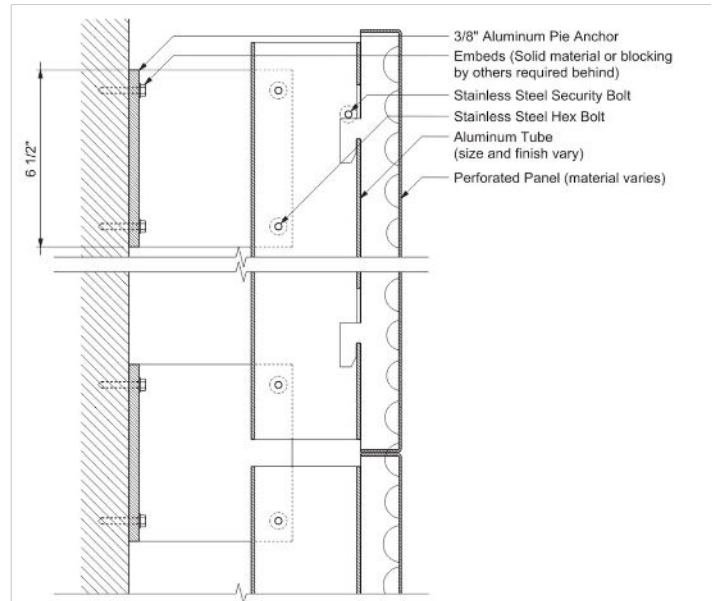
Plan Section



Plan Section

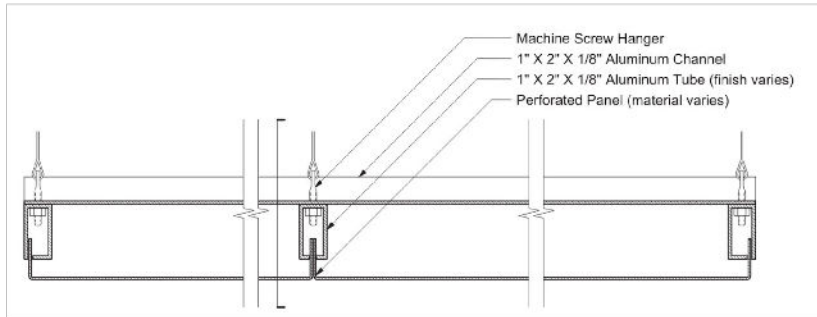


Vertical Section

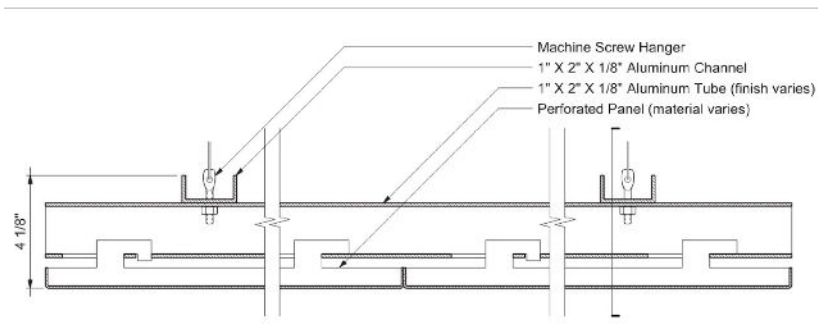


Vertical Section

Ceiling

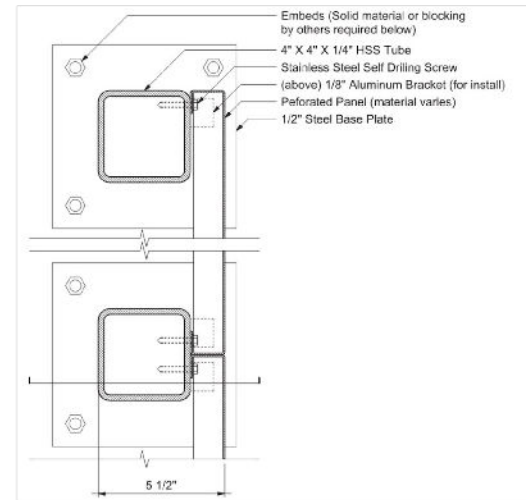


Transverse Section

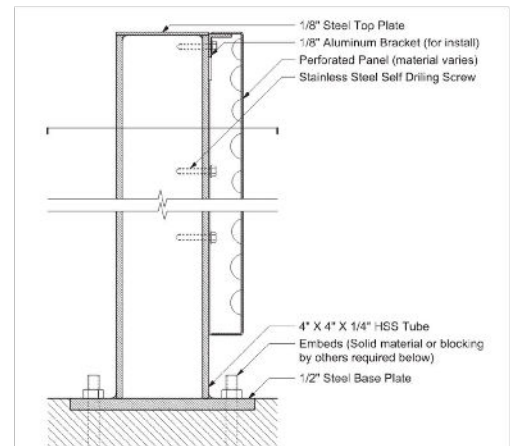


Longitudinal Section

Screen (Base Mounted)



Plan Section



Vertical Section

The following charts are provided for preliminary design only. Please consult with Zahner's licensed engineers to verify your project's specific requirements.

Max vertical tube spans relative to desired pattern width and project design pressures

